



DESCRIPTION

The AMC MECANOCAUCHO® mount works the elastomer at shear-compression. It is comprised of 2 metal parts which allow it to be installed with its two built-in screws.

TECHNICAL CHARACTERISTICS

The type VD is a vee shaped mount providing high deflections for relatively low loads. This means that the natural frequency is low and ideal for engines which normally run at idle speed.

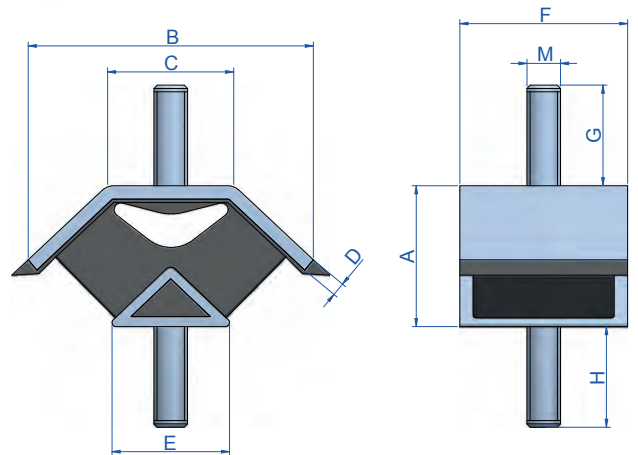
It has three different stiffness rates X,Y,Z which permits adjustments of system modes for optimal isolation and stability.

They can be installed at specific angles providing further adjustment to the systems characteristics. For this purposes, please contact our technical department.

APPLICATIONS

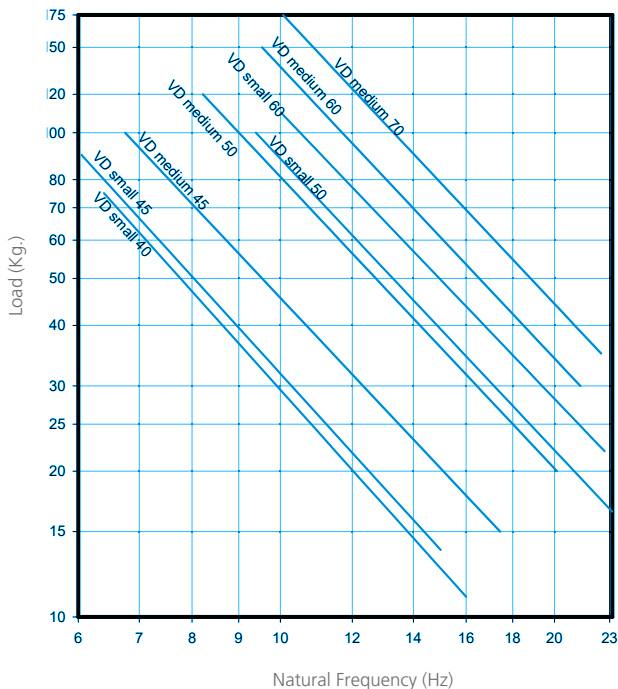
It is used in applications where the load of the suspended unit is low and the level of vibration isolation must be high, such as:

- Small vehicles.
- Small and medium sized gen sets.
- Construction equipment machinery.



Type	A (mm)	B (mm)	C (mm)	D (mm)	E (mm)	F (mm)	G (mm)	H (mm)	M	Weight (gr.)	Code	Load (kg)
Small 40	41	95	39	4	35	50	23	25	M-10	330	148121	75
Small 45 M12	41	95	39	4	35	50	30	30	M-12	350	148132	90
Small 50	41	95	39	4	35	50	23	25	M-10	330	148123	100
Small 60	41	95	39	4	35	50	23	25	M-10	330	148125	110
Small 60 M12	41	95	39	4	35	50	30	31	M-12	350	148133	110
Medium 45	64	130	60	6	52	60	34	36	M-12	805	148101	100
Medium 50	64	130	60	6	52	60	34	36	M-12	805	148102	100
Medium 60	64	130	60	6	52	60	34	36	M-12	805	148104	150
Medium 70	64	130	60	6	52	60	34	36	M-12	805	148105	175

AMC NATURAL FREQUENCY
VD TYPE MECANOCAUCHO®



AMC LOAD DEFLECTION GRAPH
VD TYPE MECANOCAUCHO®

