

TSR 40X40

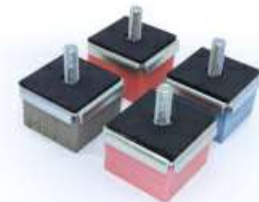


The AMC-MECANOCAUCHO® TSR type anti vibration mounts include a microcellular and resilient polyurethane compound for anti-vibration purposes called Sylomer®. This Sylomer® is oil resistant and with a temperature range of -30°C/+70°C.

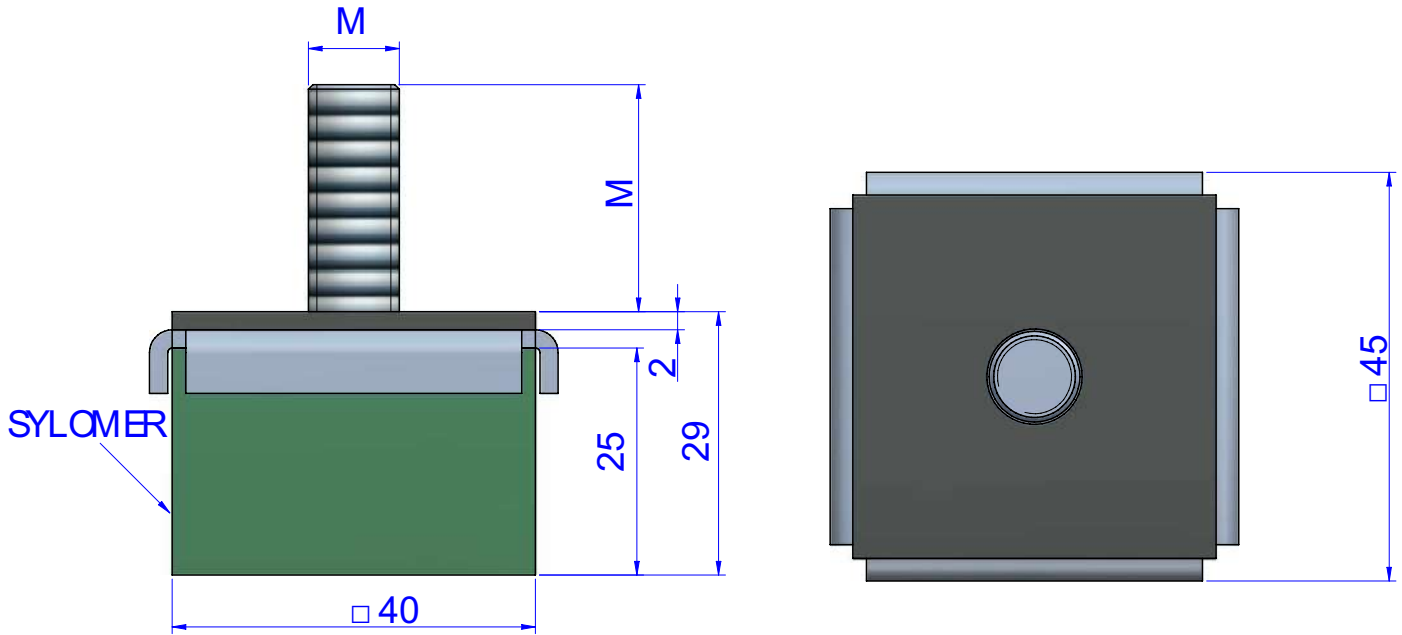
The TSR mounts can be fixed mechanically thanks to the internal nut incorporated to the metallic part that is treated with an antioxidant coat. This coating complies to the RoHs regulations.

The above Chloroprene based rubber that is bonded to the metal acts as an anti-skid surface for those application where a mechanical fixation is not possible to be made. This layer provides an additional anticorrosive protection.

In order to match the application, 6 different densities are supplied for a wide range of loads.



DRAWINGS



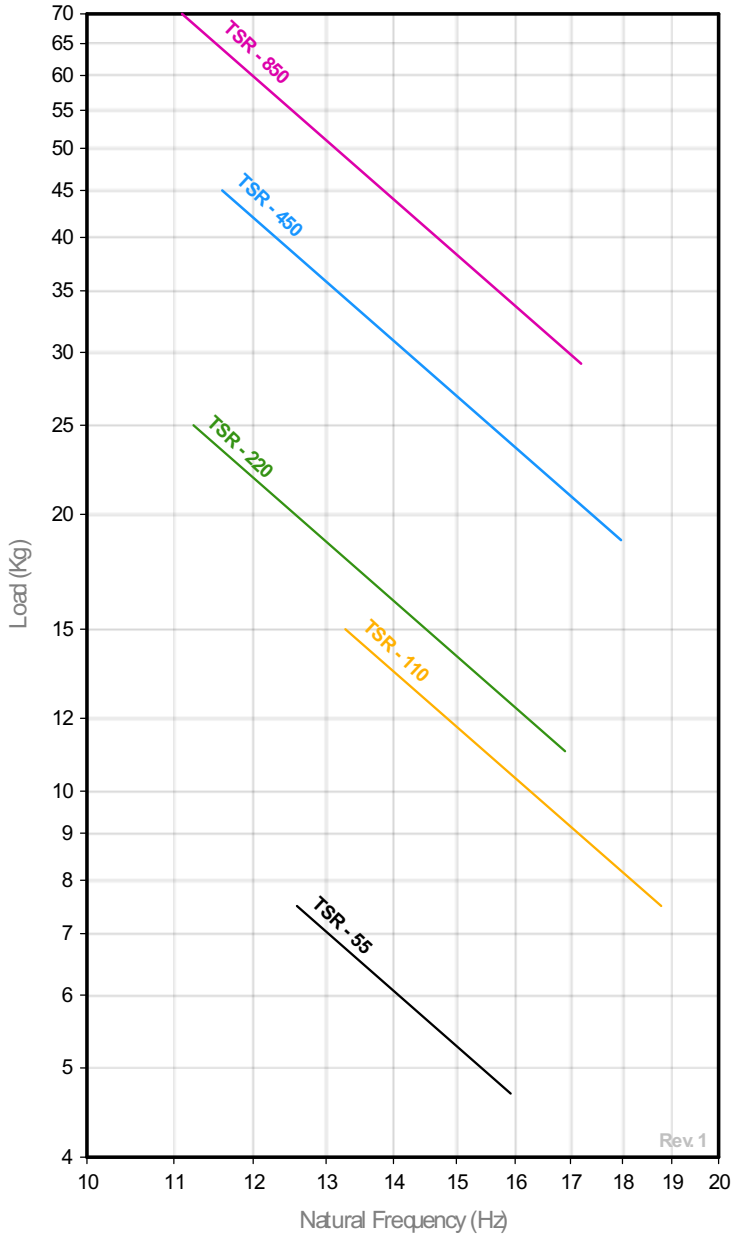
DIMENSIONS

Type	Max. Load (kg)	Deflection (mm)	Nat Freq. (Hz)	M	Code
TSR 55 40X40	7.5	1.6	13.6	M-8x20	157035
				M-10x25	157066
TSR 110 40X40	15	2	11.7	M-8x20	157036
				M-10x25	157067
TSR 220 40X40	25	2,1	11.5	M-8x20	157037
				M-10x25	157070
TSR 450 40X40	45	2,4	11.6	M-8x20	157223
				M10x25	157224
TSR 850 40X40	70	2,4	11.1	M-8x20	157039
				M10x25	157222

Elastical properties

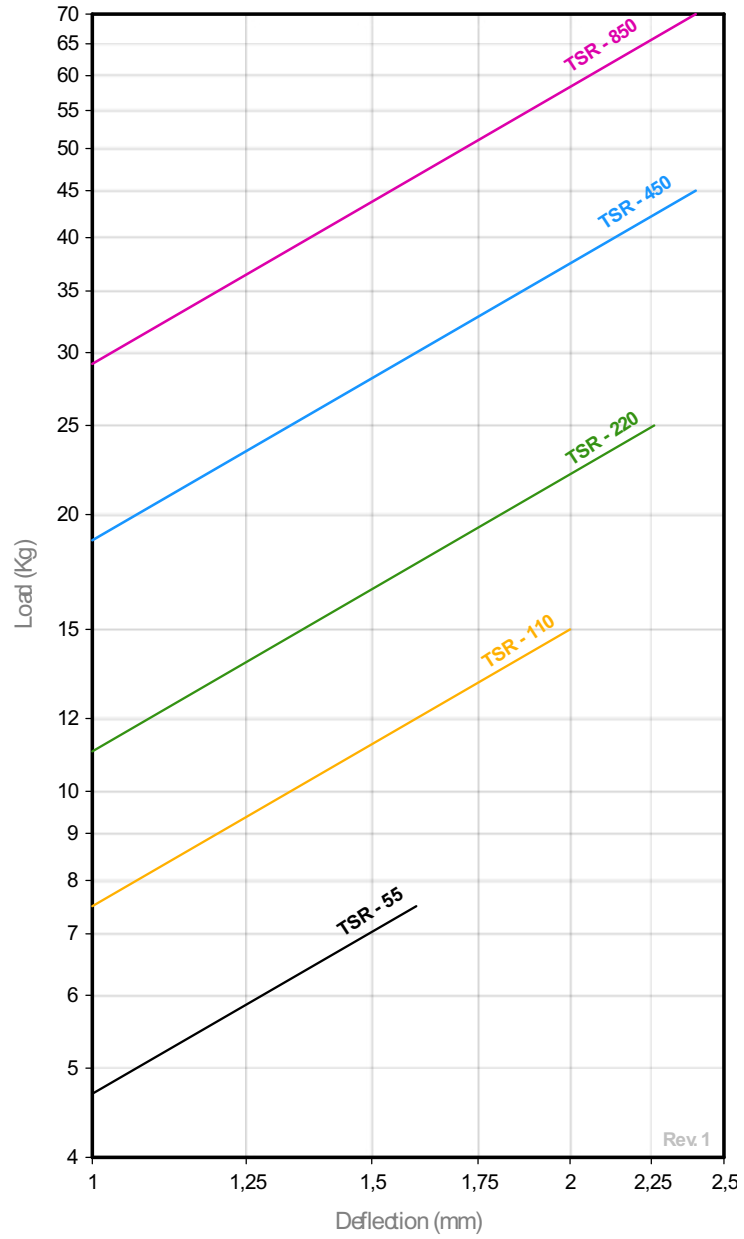
NATURAL FREQUENCY

AMC MECANOCAUCHO® TSR 40X40+ SYLOMER



LOAD DEFLECTION GRAPH

AMC MECANOCAUCHO® TSR 40X40+ SYLOMER



Anti vibration
mounts

TSR 70X70

ASCALEX
3755 Place Java, Local 160
Brossard, Qc.
J4Y 0E4

Contrôle
Bruits
Vibrations
Vibrations
Noises
Control

AMC
MECANOCAUCHO
NOISE AND
VIBRATION
SOLUTIONS



The AMC-MECANOCAUCHO® TSR type anti vibration mounts include a microcellular and resilient polyurethane compound for anti-vibration purposes called Sylomer®. This Sylomer® is oil resistant and with a temperature range of -30°C/+70°C.

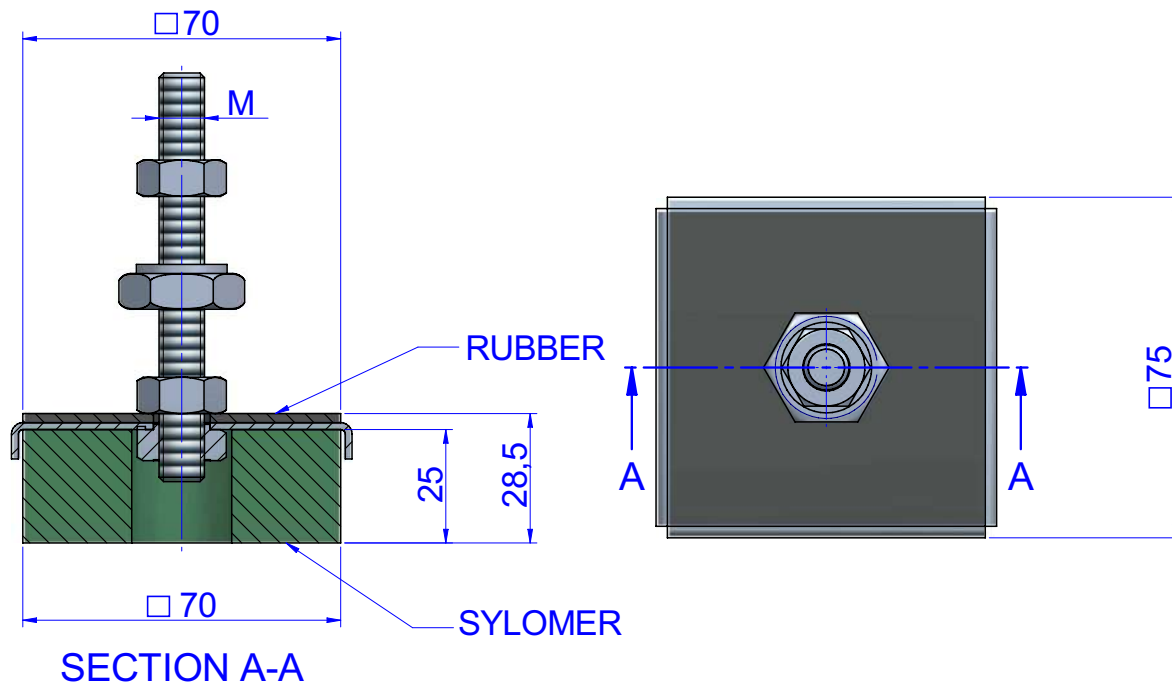
The TSR mounts can be fixed mechanically thanks to the internal nut incorporated to the metallic part that is treated with an antioxidant coat. This coating complies to the RoHs regulations.

The above Chloroprene based rubber that is bonded to the metal acts as an anti-skid surface for those application where a mechanical fixation is not possible to be made. This layer provides an additional anticorrosive protection.

In order to match the application, 6 different densities are supplied for a wide range of loads.



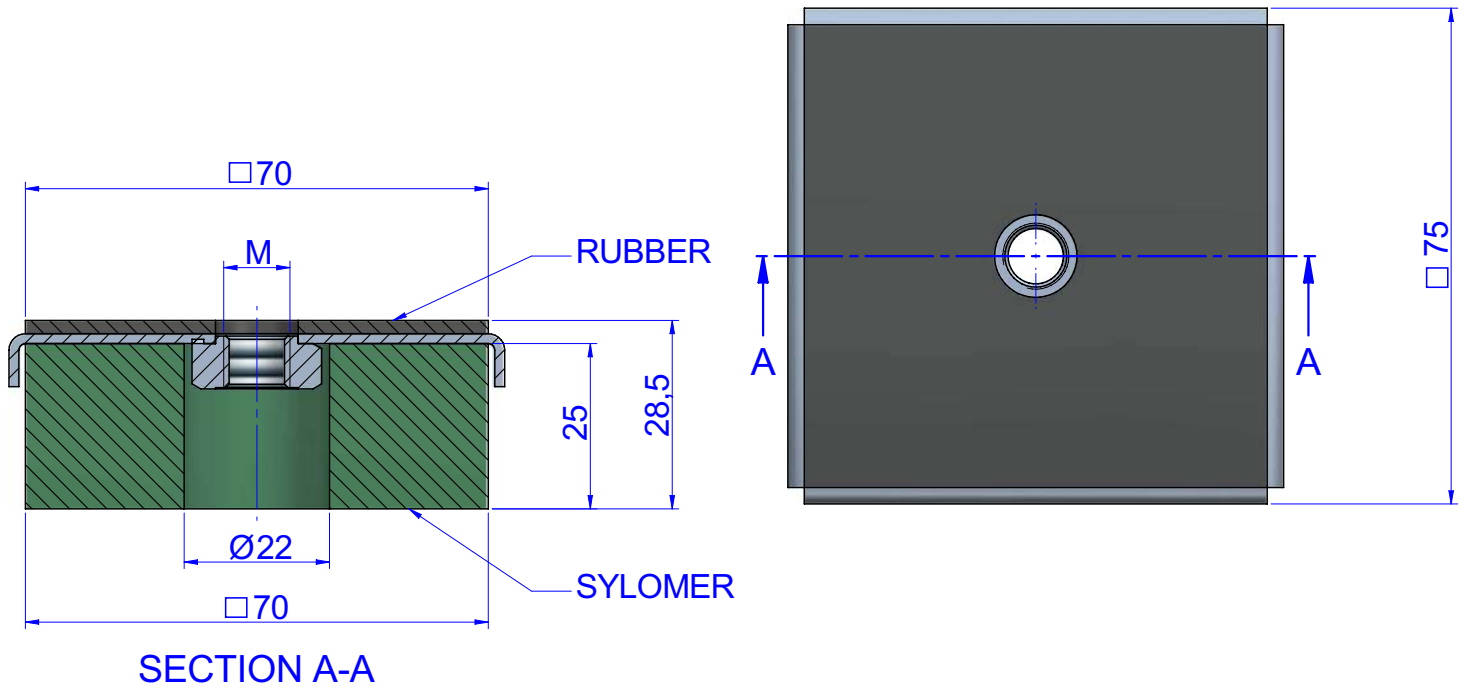
DRAWINGS



DIMENSIONS

Type	Max. Load (kg)	Deflection (mm)	K (N/mm)	Min. Load (kg)	Freq. (Hz) Min. Load	Freq. (Hz) Max. Load	E Modulus (N/mm ²)	M	Weight (kg)	Code
TSR 55 + KIT NIV	25	1,6	129,8	10	23,8	11	0,87	M8	0,2	157101
								M10	0,253	157107
								M12	0,314	157113
TSR 110 + KIT NIV	45	2,1	209,1	25	17,4	11,1	1,25	M8	0,21	157102
								M10	0,258	157108
								M12	0,324	157114
TSR 220 + KIT NIV	75	2,1	348,5	45	16	11,1	2,03	M8	0,225	157103
								M10	0,273	157109
								M12	0,34	157115
TSR 450 + KIT NIV	150	2,7	551,8	75	15,5	10,4	3,58	M8	0,24	157104
								M10	0,287	157110
								M12	0,353	157116
TSR 850 + KIT NIV	250	2,9	848,9	150	14,2	11,1	6,9	M8	0,26	157105
								M10	0,31	157111
								M12	0,375	157117
TSR 1200 + KIT NIV	300	2,9	981	250	11	10	6,7	M8	0,275	157106
								M10	0,3	157112
								M12	0,366	157118

DRAWINGS

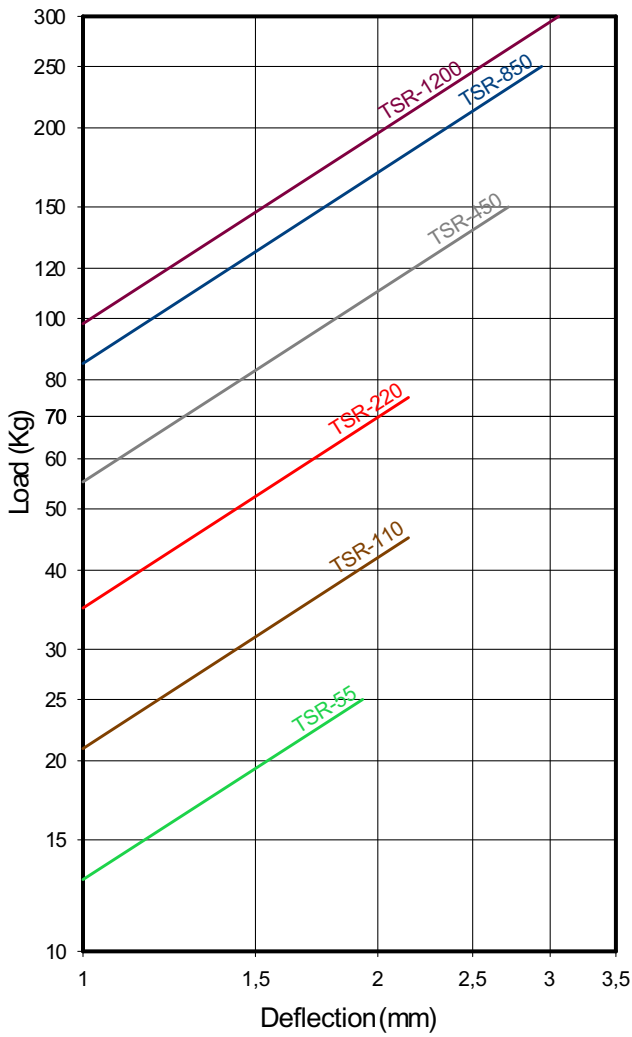


DIMENSIONS

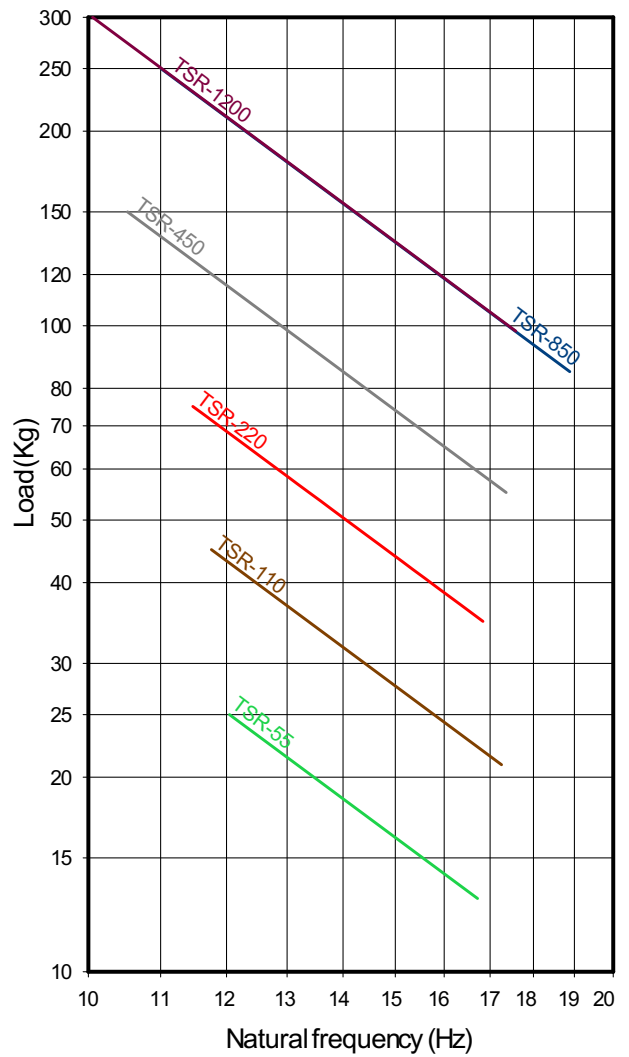
Type	Max. Load (kg)	Deflection (mm)	K (N/mm)	Min. Load (kg)	Freq. (Hz) Min. Load	Freq. (Hz) Max. Load	E Modulus (N/mm ²)	M	Weight (kg)	Code
TSR 55	25	1,6	129,8	10	23,8	11	0,87	M8	0,163	157001
								M10	0,163	157008
								M12	0,163	157014
TSR 110	45	2,1	209,1	25	17,4	11,1	1,25	M8	0,173	157002
								M10	0,173	157009
								M12	0,173	157015
TSR 220	75	2,1	348,5	45	16	11,1	2,03	M8	0,188	157003
								M10	0,188	157010
								M12	0,188	157016
TSR 450	150	2,7	551,8	75	15,5	10,4	3,58	M8	0,203	157004
								M10	0,203	157011
								M12	0,203	157017
TSR 850	250	2,9	848,9	150	14,2	11,1	6,9	M8	0,223	157005
								M10	0,223	157012
								M12	0,223	157018
TSR 1200	300	2,9	981	250	11	10	6,7	M8	0,238	157006
								M10	0,238	157013
								M12	0,238	157019

Elastical properties

**LOAD DEFLECTION CURVES
TSR+ SYLOMER®**



**NATURAL FREQUENCY CURVES
TSR+ SYLOMER®**



TSR 100X100 ANTI VIBRATION MOUNTS



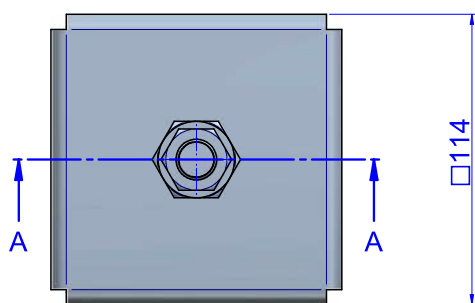
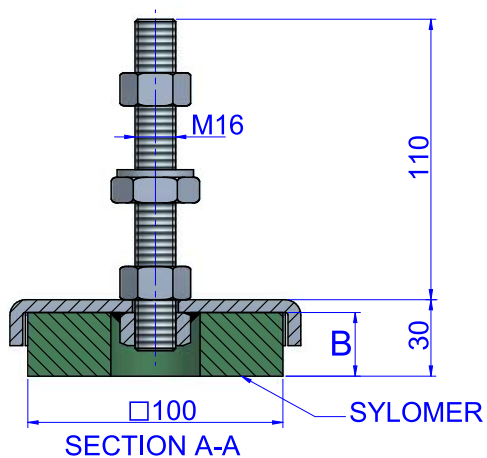
The AMC-MECANOCAUCHO® TSR type anti vibration mounts include a microcellular and resilient polyurethane compound for anti-vibration purposes called Sylomer®. This Sylomer® is oil resistant and with a temperature range of -30°C/+70°C.

The TSR mounts can be fixed mechanically thanks to the internal nut incorporated to the metallic part that is treated with an antioxidant coat. This coating complies to the RoHs regulations.

In order to match the application, 6 different densities are supplied for a wide range of loads.



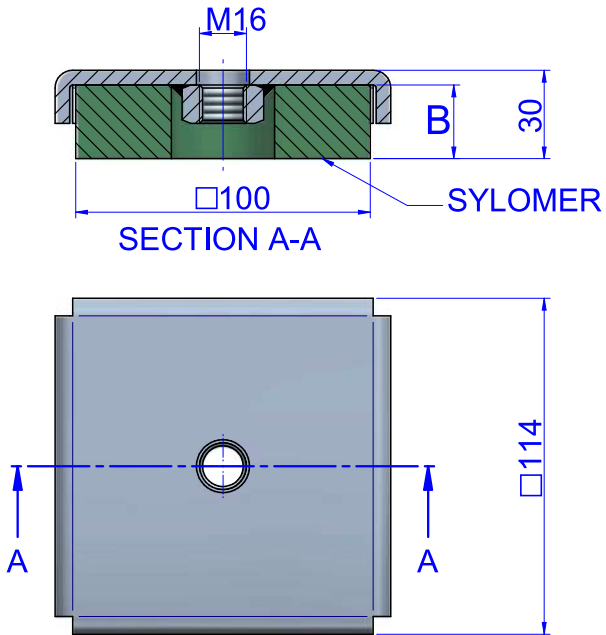
DRAWINGS



DIMENSIONS

Type	B (mm)	Weight (kg)	LOAD kg MIN	LOAD kg MAX	FREQ. Hz. MIN Load	FREQ. Hz. MAX Load	Code
TSR 100x100 SR_55 M16 + Kit Niv.	25	1,1	0	45	-	13,96	157071
	50	1,32	0	44	-	7,82	157170
TSR 100x100 SR_110 M16 + Kit Niv.	25	1,16	46	92	16,52	11,68	157072
	50	1,32	45	82	10,64	7,88	157171
TSR 100x100 SR_220 M16 + Kit Niv.	25	1,24	93	160	14,41	10,99	157073
	50	1,32	83	148	9,88	7,40	157172
TSR 100x100 SR_450 M16 + Kit Niv.	25	1,34	161	323	14,49	10,23	157074
	50	1,32	149	274	10,30	7,59	157173
TSR 100x100 SR_850 M16 + Kit Niv.	25	1,39	324	530	14,42	11,27	157075
	50	1,32	275	409	9,13	7,49	157174
TSR 100x100 SR_1200 M16 + Kit Niv.	25	1,42	531	641	11,26	10,24	157076
	50	1,32	410	521	8,33	7,39	157175

DRAWINGS

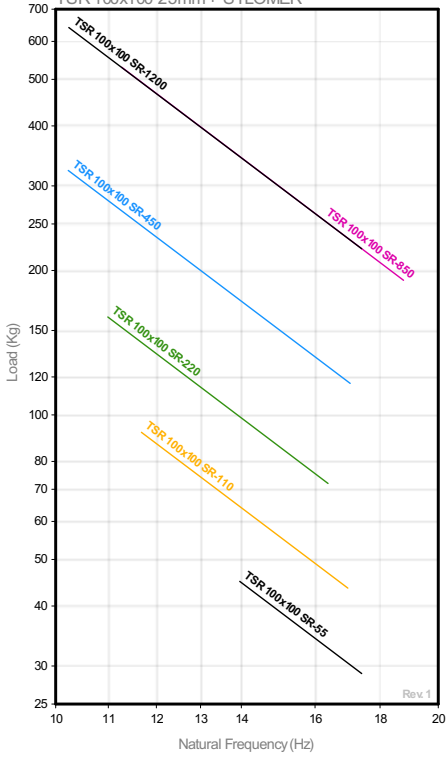


DIMENSIONS

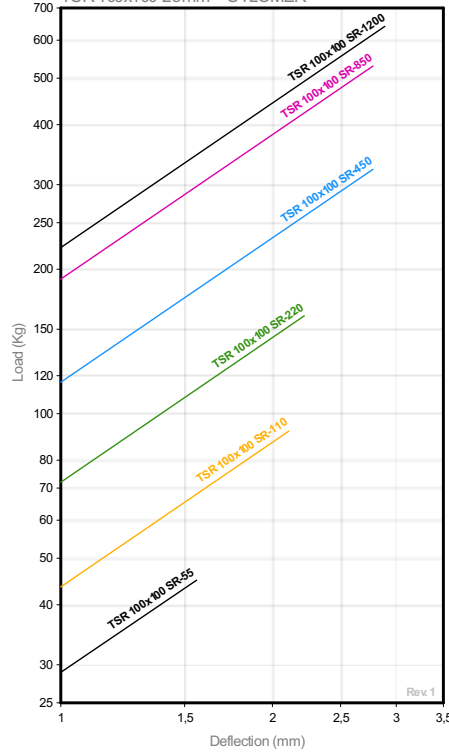
Type	B (mm)	Weight (kg)	LOAD kg MIN	LOAD kg MAX	FREQ. Hz. MIN Load	FREQ. Hz. MAX Load	Code
TSR 100x100 SR55 M16	25	1,10	0	45	-	13,96	157083
	50	0,99	0	44	-	7,82	157091
TSR 100x100 SR110 M16	25	1,10	46	92	16,52	11,68	157084
	50	0,99	45	82	10,64	7,88	157092
TSR 100x100 SR220 M16	25	1,10	93	160	14,41	10,99	157085
	50	0,99	83	148	9,88	7,40	157093
TSR 100x100 SR450 M16	25	1,10	161	323	14,49	10,23	157086
	50	0,99	149	274	10,30	7,59	157094
TSR 100x100 SR850 M16	25	1,10	324	530	14,42	11,27	157087
	50	0,99	275	409	9,13	7,49	157095
TSR 100x100 SR1200 M16	25	1,10	531	641	11,26	10,24	157088
	50	0,99	410	521	8,33	7,39	157096

Elastical properties

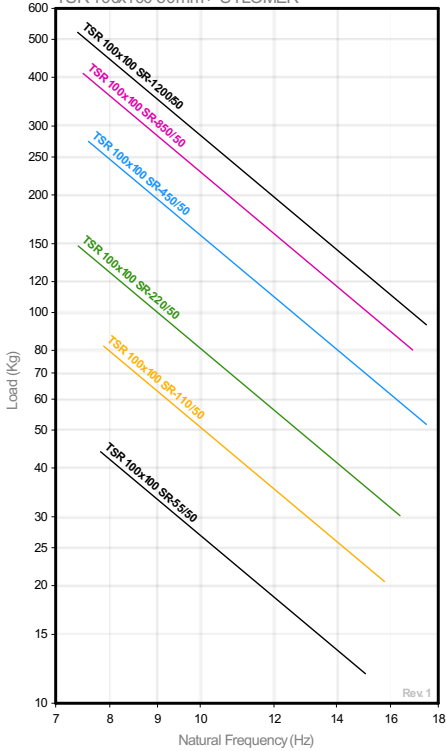
NATURAL FREQUENCY GRAPHS
 TSR 100x100 25mm+ SYLOMER



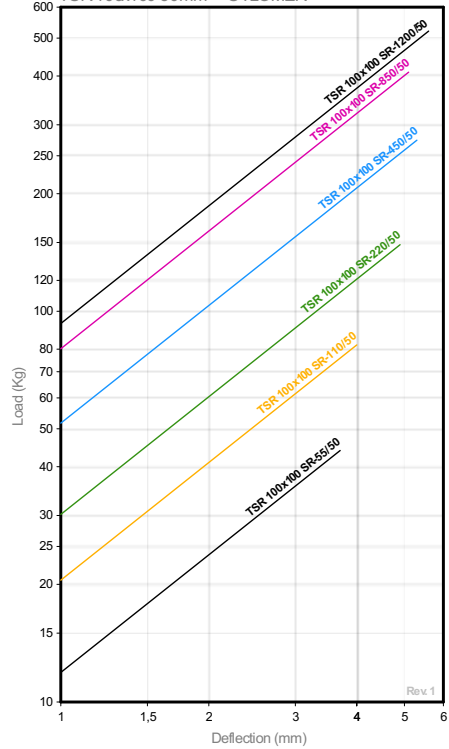
LOAD DEFLECTION GRAPHS
 TSR 100x100 25mm+ SYLOMER



NATURAL FREQUENCY GRAPHS
 TSR 100x100 50mm+ SYLOMER



LOAD DEFLECTION GRAPHS
 TSR 100x100 50mm+ SYLOMER



TSR 150X150 ANTI VIBRATION MOUNTS



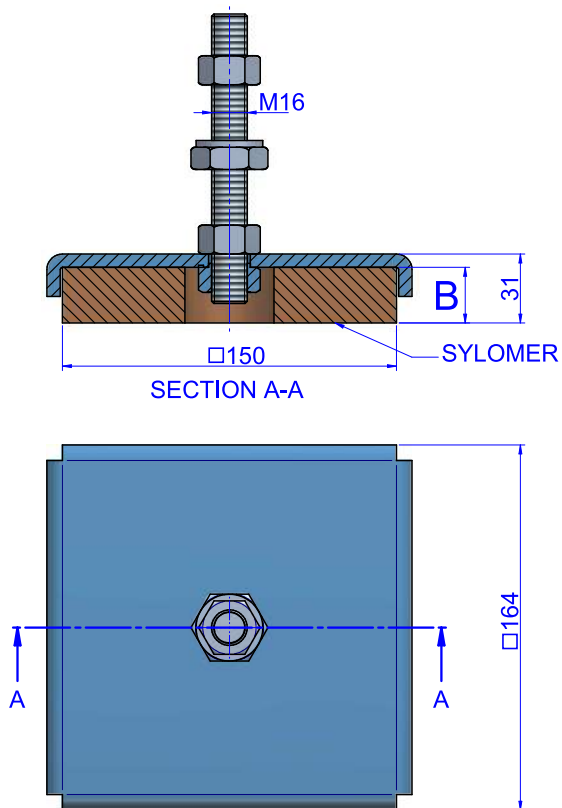
The AMC-MECANOCAUCHO® TSR type anti vibration mounts include a microcellular and resilient polyurethane compound for anti-vibration purposes called Sylomer®. This Sylomer® is oil resistant and with a temperature range of -30°C/+70°C.

The TSR mounts can be fixed mechanically thanks to the internal nut incorporated to the metallic part that is treated with an antioxidant coat. This coating complies to the RoHs regulations.

In order to match the application, 6 different densities are supplied for a wide range of loads.



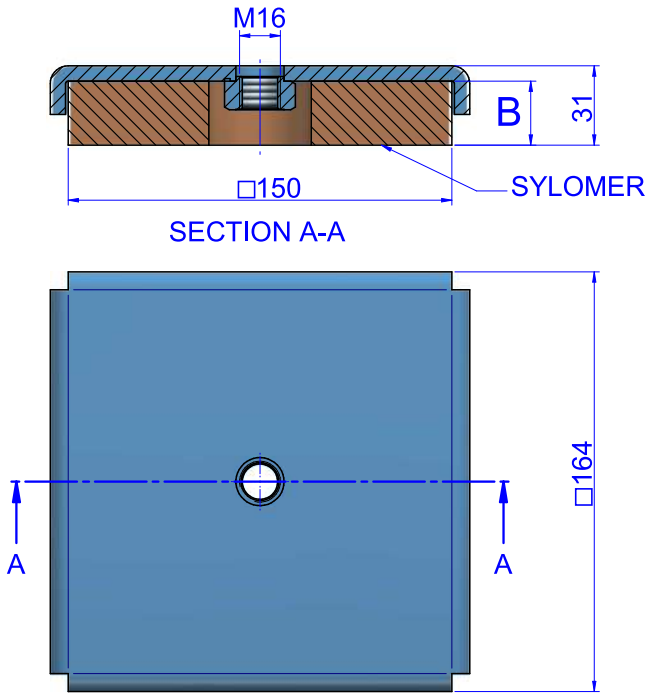
DRAWINGS



DIMENSIONS

Type	B (mm)	Weight (kg)	LOAD kg MIN	LOAD kg MAX	FREQ. Hz. MIN Load	FREQ. Hz. MAX Load	Code
TSR 150x150 SR_110 M16 + Kit Niv.	25	2,25	0	230	-	11,38	157120
	50	2,56	0	202	-	8,11	157176
TSR 150x150 SR_220 M16 + Kit Niv.	25	2,25	231	430	14,36	10,53	157121
	50	2,56	203	375	10,20	7,50	157177
TSR 150x150 SR_450 M16 + Kit Niv.	25	2,25	431	860	14,08	9,97	157122
	50	2,56	376	709	10,43	7,59	157178
TSR 150x150 SR_850 M16 + Kit Niv.	25	2,25	861	1420	14,51	11,30	157123
	50	2,56	710	1093	9,45	7,61	157179
TSR 150x150 SR_1200 M16 + Kit Niv.	25	2,25	1421	1900	12,27	10,61	157124
	50	2,56	1094	1418	8,55	7,51	157180

DRAWINGS

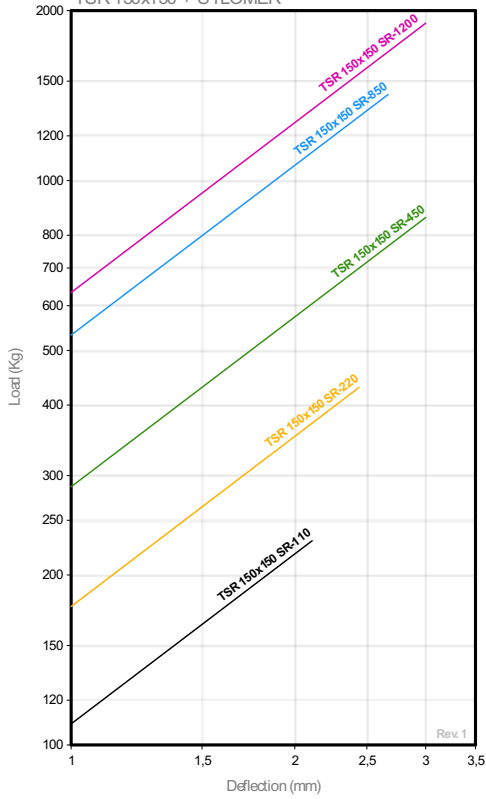


DIMENSIONS

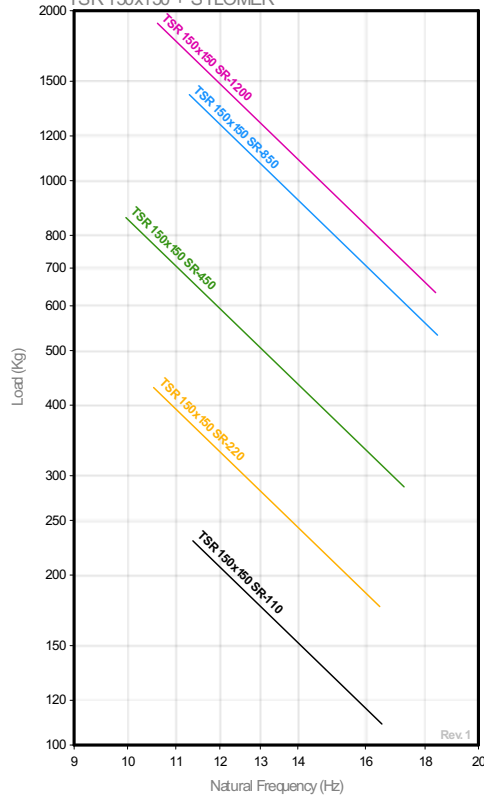
Type	B (mm)	Weight (kg)	LOAD kg MIN	LOAD kg MAX	FREQ. Hz. MIN Load	FREQ. Hz. MAX Load	Code
TSR 150x150 SR_110 M16	25	1,90	0	230	-	11,38	157125
	50	2,23	0	202	-	8,11	157145
TSR 150x150 SR_220 M16	25	1,90	231	430	14,36	10,53	157126
	50	2,23	203	375	10,20	7,50	157156
TSR 150x150 SR_450 M16	25	1,90	431	860	14,08	9,97	157127
	50	2,23	376	709	10,43	7,59	157154
TSR 150x150 SR_850 M16	25	1,90	861	1420	14,51	11,30	157128
	50	2,23	710	1093	9,45	7,61	157155
TSR 150x150 SR_1200 M16	25	1,90	1421	1900	12,27	10,61	157129
	50	2,23	1094	1418	8,55	7,51	157157

Elastical properties

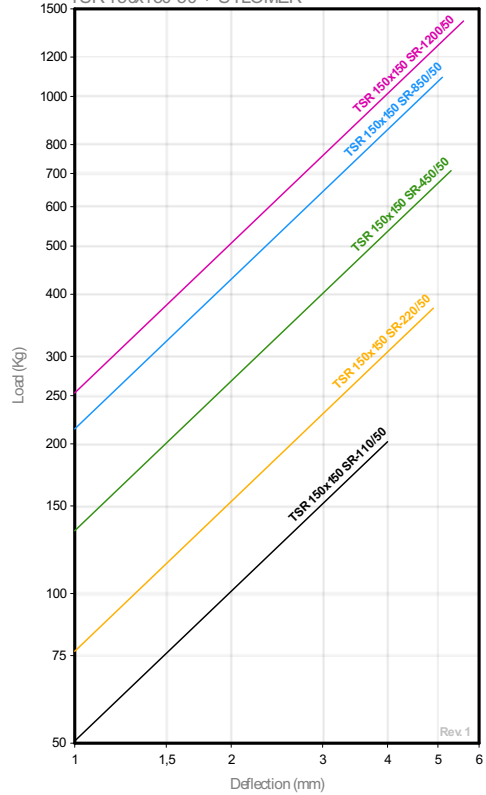
LOAD DEFLECTION GRAPH
TSR 150x150 + SYLOMER



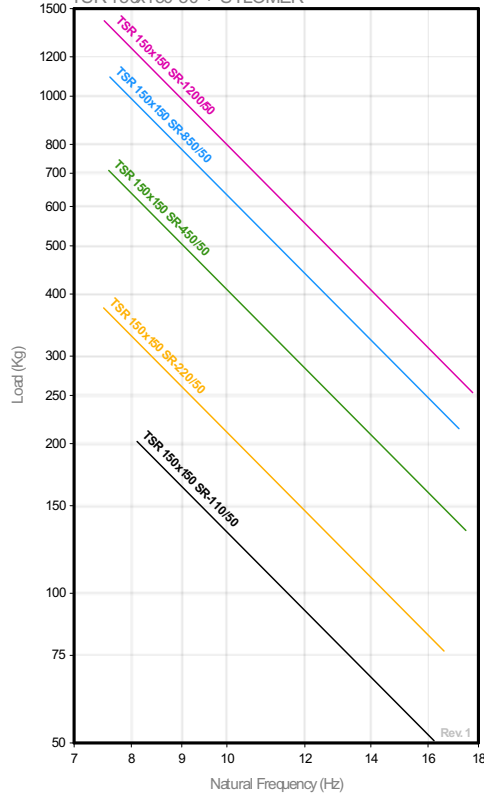
NATURAL FREQUENCY
TSR 150x150 + SYLOMER



LOAD DEFLECTION GRAPH
TSR 150x150-50 + SYLOMER



NATURAL FREQUENCY
TSR 150x150-50 + SYLOMER



Rubber Metal anti vibration mounts

TSR 300X300 ANTI VIBRATION MOUNTS

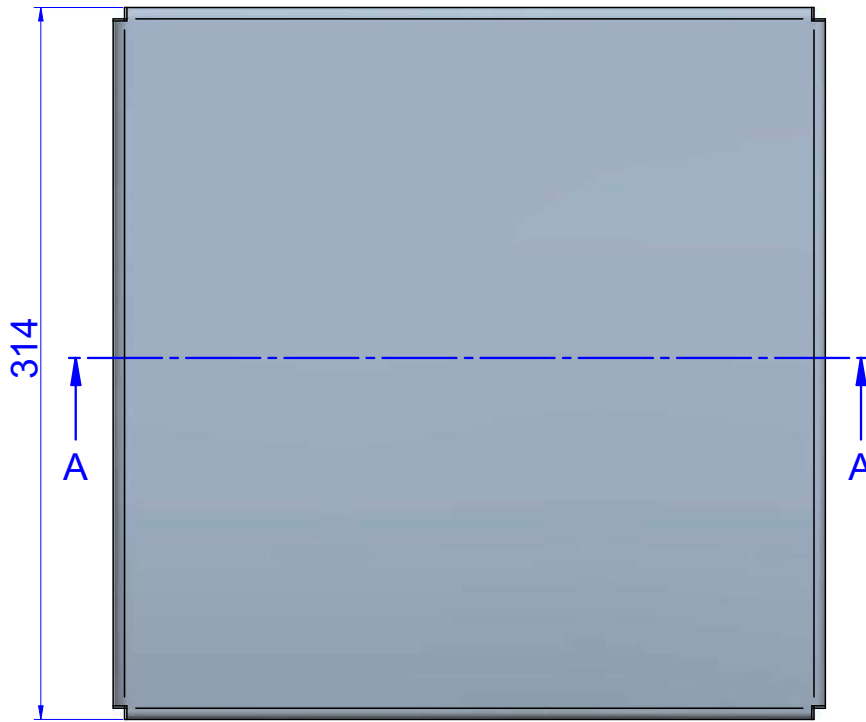
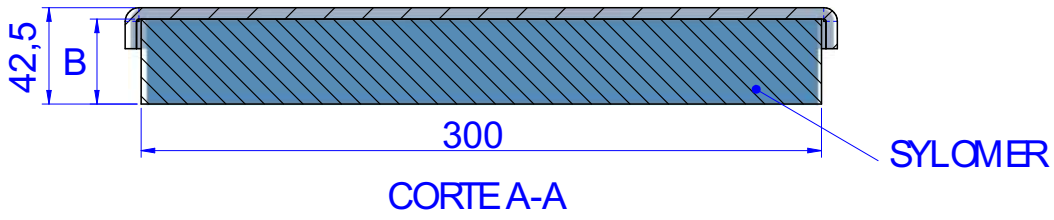


The AMC-MECANOCAUCHO® TSR type anti vibration mounts include a microcellular and resilient polyurethane compound for anti-vibration purposes called Sylomer®. This Sylomer® is oil resistant and with a temperature range of -30°C/+70°C.

In order to match the application, 6 different densities are supplied for a wide range of loads.



DRAWINGS

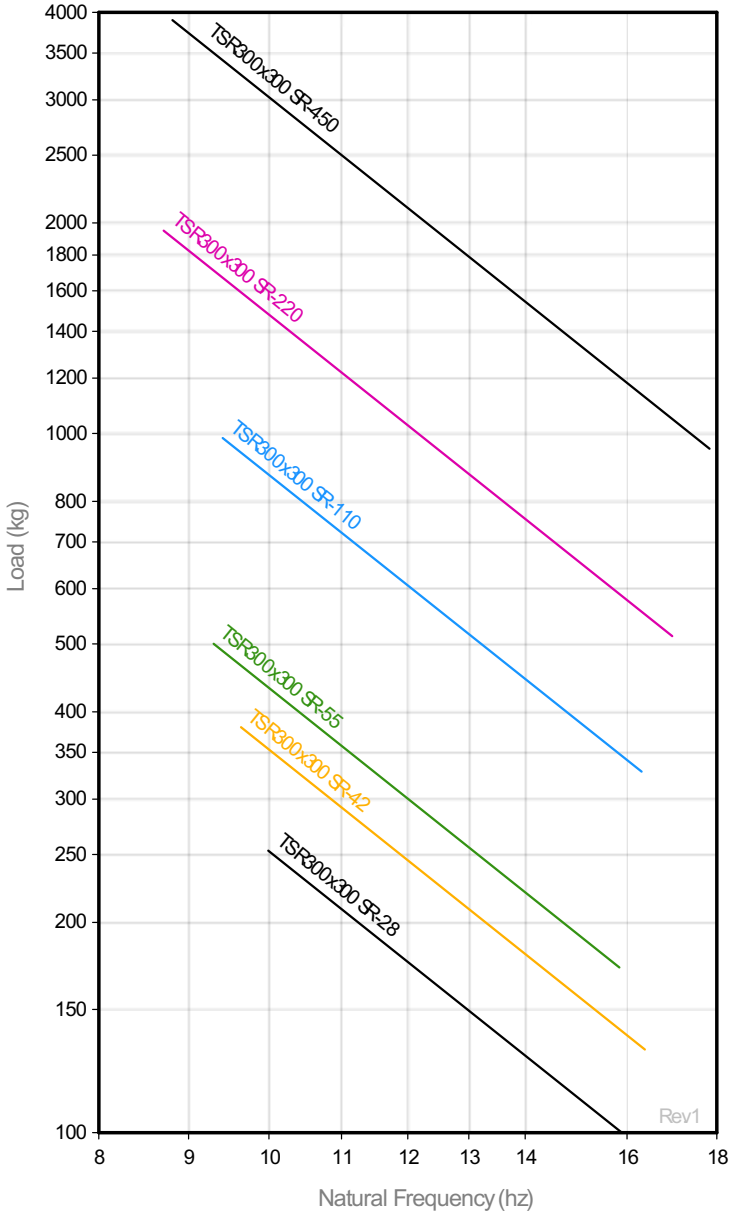


DIMENSIONS

Type	B (mm)	Weight (kg)	LOAD kg MIN	LOAD kg MAX	FREQ. Hz. MIN Load	FREQ. Hz. MAX Load	Code
TSR 300X300 SR28	37,5	5,08	0	253	-	9,99	157162
TSR 300X300 SR42	37,5	5,08	254	380	11,79	9,64	157163
TSR 300X300 SR55	37,5	5,08	381	500	10,65	9,30	157164
TSR 300X300 SR110	37,5	5,08	501	985	13,20	9,41	157165
TSR 300X300 SR220	37,5	5,08	986	1950	12,24	8,71	157166
TSR 300X300 SR450	37,5	5,08	1951	3900	12,45	8,81	157167

Elastical properties

NATURAL FREQUENCY
 TSR 300X300 + SYLOMER



LOAD DEFLECTION
 TSR 300X300 + SYLOMER

