

## DESCRIPTION

The AMC MECANOCAUCHO® SCHR type mounts are made of two parts of rubber, one of which bears an inside metal bushing which acts as a guide through the machine anchoring screw. It is installed pre-compressed on the actual machine frame, whose thickness "T" determines the degree of precompression.

Moreover it contains a metallic part, that avoids a premature wear by friction between the rubber and the housing of the mount.

## TECHNICAL CHARACTERISTICS

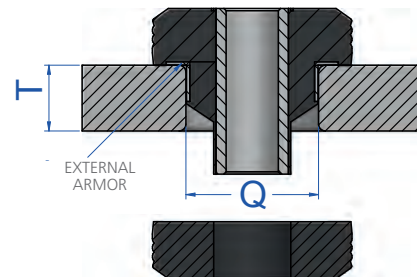
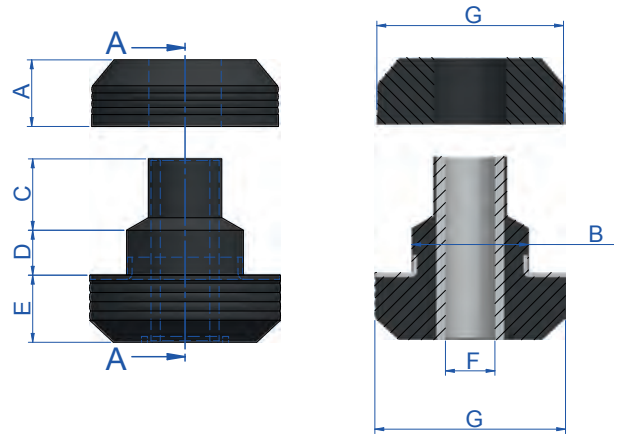
This antivibration mount is ideal for applications of major dynamic loads where movement control is necessary, such as in the cabins of all types of mobile vehicles. It also offers optimal stability, as well as good attenuation of impacts and vibrations.

## APPLICATIONS

- Vehicle cabins
- Public works and agricultural vehicles, etc.

## ASSEMBLY INSTRUCTIONS

The SCHR mounts should be assembled according to the following installation instructions. There are two possible configurations, see assembly 1 and assembly 2, for which the recommendations given in the following chart must be observed. They can be installed in plates of different thicknesses according to the Tmax and Tmin values given in the table at the bottom. The Load vs. Deformation curves will vary according to the thickness of the plate on which the mount is to be installed.

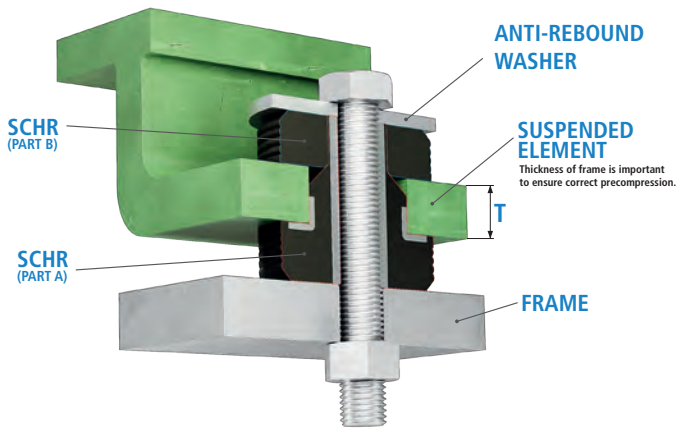


Type	A (mm)	B (mm)	C (mm)	D (mm)	E (mm)	F (mm)	G (mm)	Q (mm)	T (Max.)	T (Min.)	Weight (gr.)	Code	Shore	Max. Load (kg)
SCHR 35	11	20,1	11	4	11	8	34,5	20,4	6	6	42	138621	45 Sh	40
												138623	60 Sh	80
SCHR 50	20	31,7	19,5	10,5	20	13,5	49	31,8	14	12,5	153	138535	45 Sh	80
												138534	65 Sh	150
												138559	75 Sh	200
SCHR 65	23	39,5	24	15	23	16,75	64,5	40	22	19	269	138551	50 Sh	160
												138552	65 Sh	300
SCHR 90	25	56,5	31	17	25	23	88	57	29	25	675	138547	45 Sh	260
												138548	60 Sh	450
SCHR 125	32	65,4	32	22	32	27	125,5	65,8	32	25	1440	138216	50 Sh	650
												138217	60 Sh	800
SCHR 140	35	70	31	13	35	31	140	71	20	20	1900	138508	45 Sh	700
												138510	60 Sh	2000

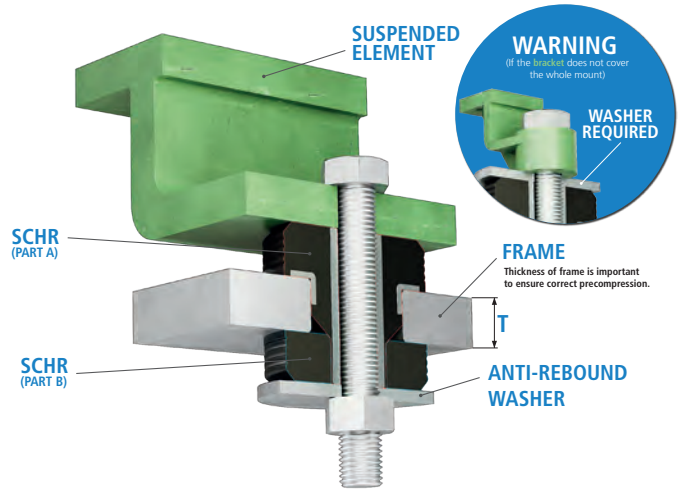
Washers should be used, if the rubber surface is not covered with the contact surface.  
Washers upon request.

Type	Code	Weight (kg)	Øext (mm)	Øint (mm)	Thickness (mm)
SCHR 35 Washer	610053	0,03	38	8,5	2
SCHR 50 Washer	611080	0,051	54	13,5	3
SCHR 65 Washer	606130	0,125	67	16,5	5
SCHR 90 Washer	608101	0,31	96	22	6
SCHR 125 Washer	610123	0,58	145	25	8
SCHR 140 Washer	608115	1,251	145	30	10

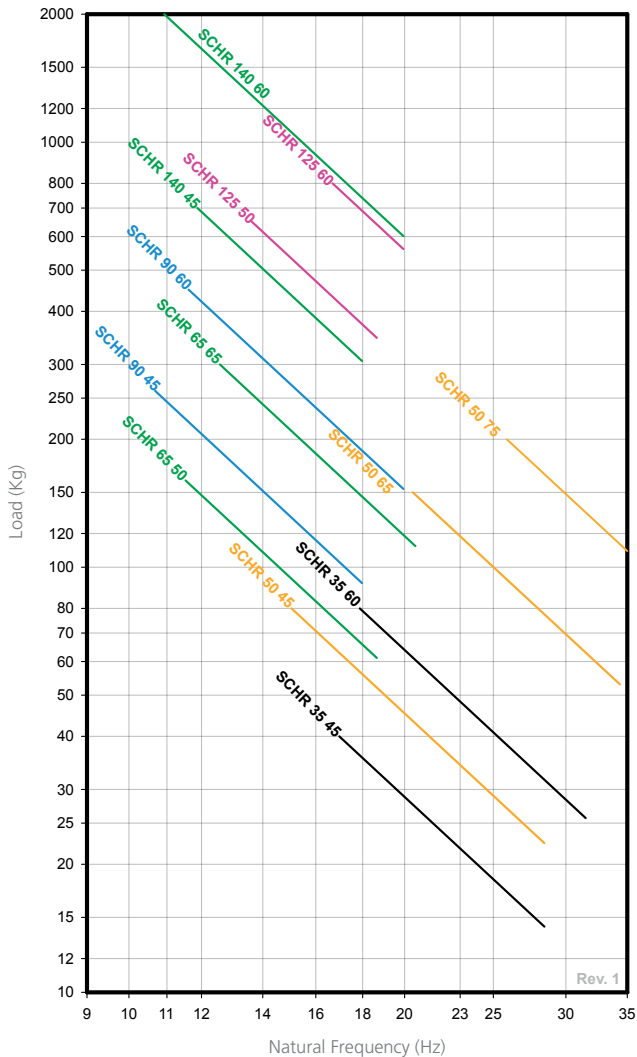
ASSEMBLY 1



ASSEMBLY 2



NATURAL FREQUENCY AMC MECANOCAUCHO® SCHR ANTI VIBRATION MOUNTS



LOAD DEFLECTION GRAPH AMC MECANOCAUCHO® SCHR ANTI VIBRATION MOUNTS

