

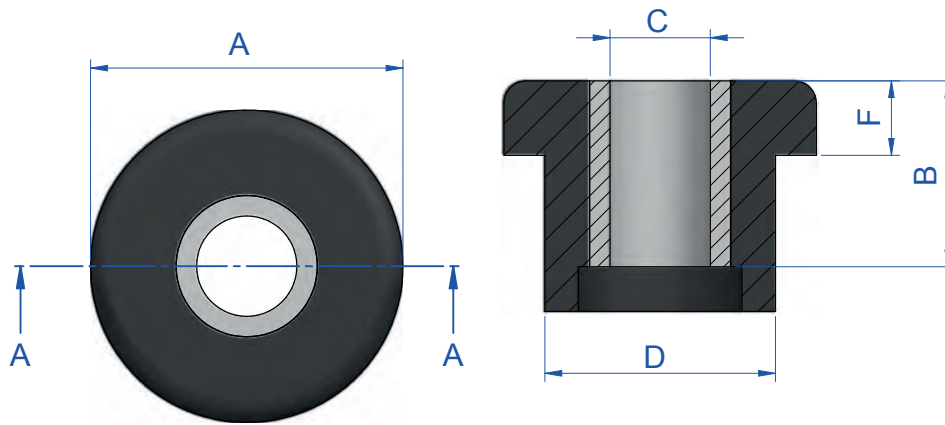
DESCRIPTION

The SCB elastic mounts are elements that work on the basis of compression since thanks to their design and assembly they provide an anti-rebound effect, thus permitting safety assemblies.

ADVANTAGES

- Easy to install
- Simple and economical product.
- Wide range of loads.

Their failsafe feature makes them very recommendable for mobile applications.

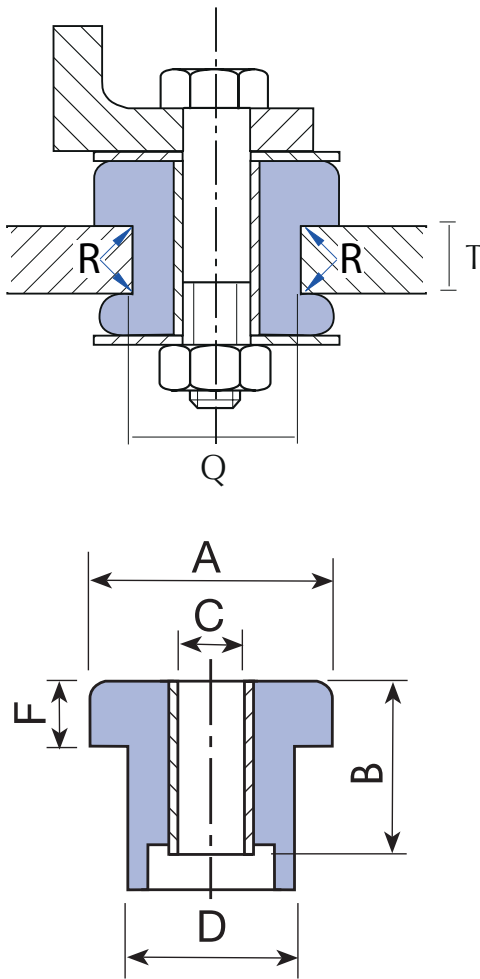


Washers should be used, if the rubber surface is not covered with the contact surface.
Washers upon request.

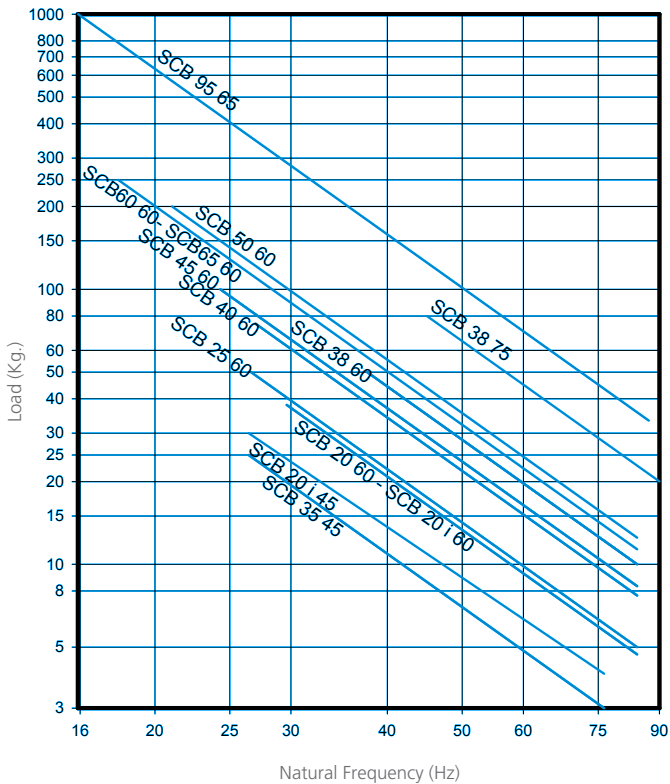
Type	A (mm)	B (mm)	C (mm)	D (mm)	F (mm)	Q (mm)	T (Max.)	T (Min.)	Weight (gr.)	R (mm)	Code	Load (kg)	Shore
SCB 20	27	15,5	10,25	20	7	19,5	5	4	20	1	138013	30	45 Sh
											138019	38	60 Sh
SCB 20i	27	15,5	8	20	7	19,5	5	4	20	1	138056	38	60 Sh
SCB 25	27,5	21	10	20	6,5	19,5	15	14	20	1	138001	50	60 Sh
SCB 35	27,5	12,5	8	19,4	8,5	19	4	3	30	0,5	138012	25	45 Sh
SCB 38	33,5	19	10,5	20,5	11	20,5	5	3	30	0,5	138043	50	60 Sh
											138044	80	75 Sh
SCB 40	35	15,5	13	26,5	8	26,5	5	4	50	1	138022	75	60 Sh
SCB 45	41,5	25,5	13,75	31	10	30	11	10	56	1,5	138002	100	60 Sh
SCB 50	49,5	35	13,5	34	13,5	33	17	16	73	1,5	138003	200	60 Sh
SCB 60	63	31,2	16,2	41	17	40	10	9	108	3	138004	250	60 Sh
SCB 65	62	43,5	16,5	40	17	39	20	19	140	3	138005	250	60 Sh
SCB 95	92	51,5	20,5	56	26,5	54,5	20	19	395	3	138011	1000	65 Sh

Type	Øext (mm)	Øint (mm)	Thickness (mm)	Code	Weight (kg)
SCB 20 WASHER	28	10,5	2	606185	0,03
SCB 20i WASHER	28	8,5	2	606124	0,03
SCB 25 WASHER	28	8,5	2	606124	0,03
SCB 35 WASHER	28	8,5	2	606124	0,03
SCB 38 WASHER	38	12,5	3	611065	0,04
SCB 40 WASHER	38	12,5	3	611065	0,04
SCB 45 WASHER	54	12,5	3	611080	0,051
SCB 50 WASHER	54	12,5	3	611080	0,051
SCB 60 WASHER	66	16,5	5	606130	0,125
SCB 65 WASHER	66	16,5	5	606130	0,125
SCB 95 WASHER	95	22	6	608101	0,31

ASSEMBLY



NATURAL FREQUENCY
 AMC MECANOCAUCHO® SCB TYPE



LOAD DEFLECTION GRAPH
 AMC MECANOCAUCHO® SCB TYPE

