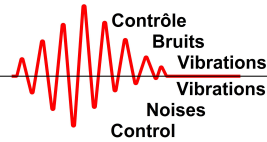
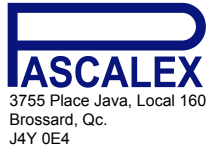


SCBR



DESCRIPTION

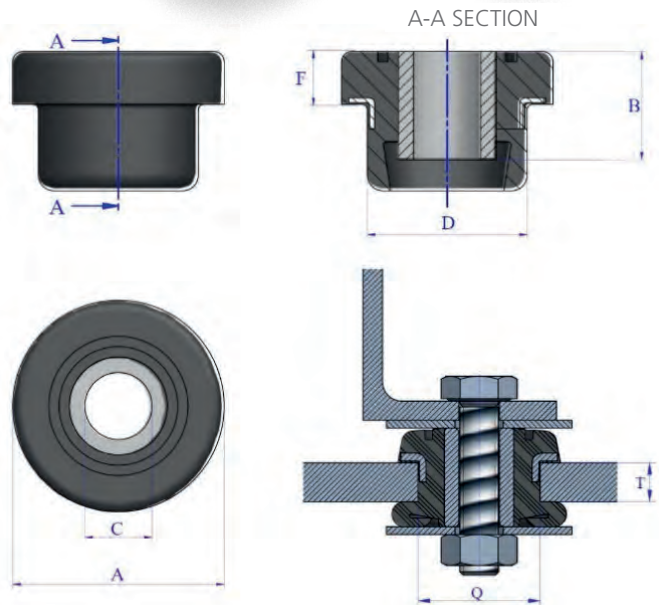
The SCBR elastic mounts are elements that work on the basis of compression since thanks to their design and assembly they provide an anti-rebound effect, thus permitting safety assemblies.

Moreover it contains a metallic part, that avoids a premature wear by friction between the rubber and the housing of the mount.

ADVANTAGES

The inside stop effect makes them very recommendable for safety purposes.

- Easy to assemble.
- Simple and economical product.
- Wide range of loads.

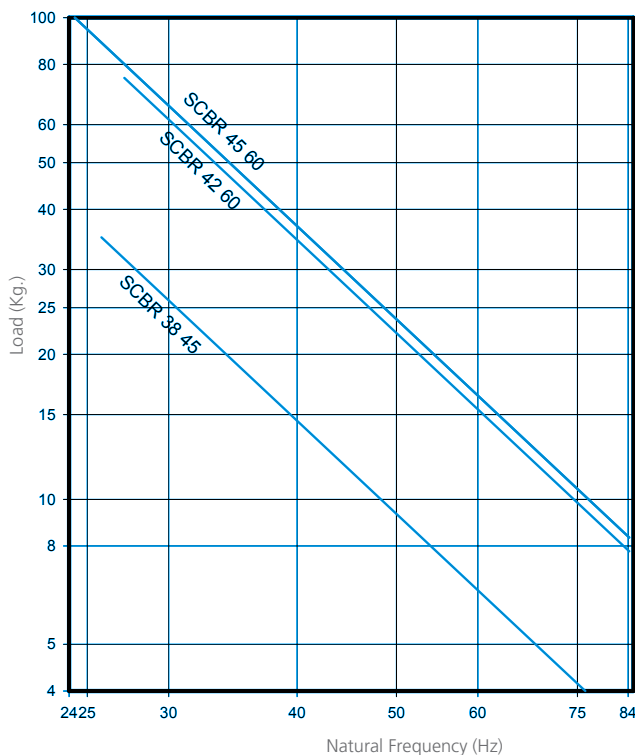


Washers should be used, if the rubber surface is not covered with the contact surface. Washers upon request.

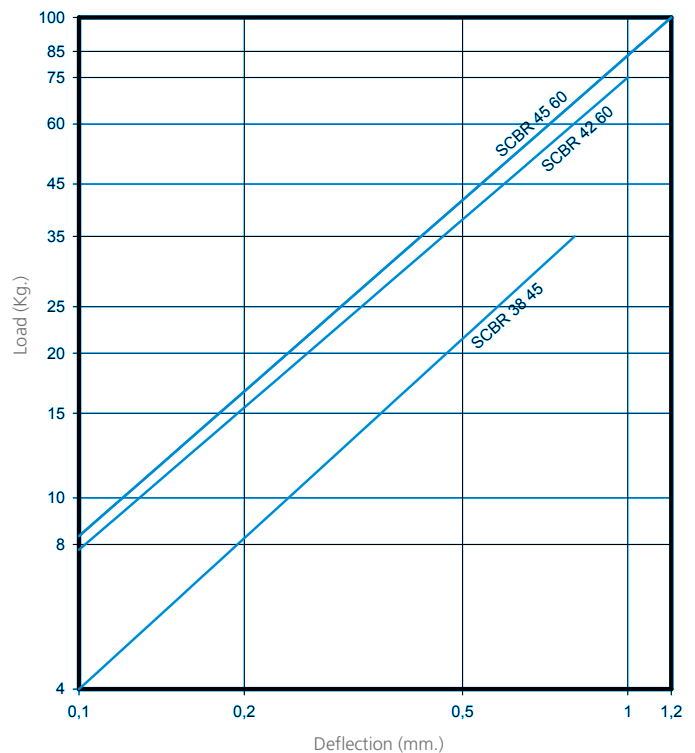
Type	A (mm)	B (mm)	C (mm)	D (mm)	F (mm)	Q (mm)	T (Max.)	T (Min.)	Weight (gr.)	Washer	Code	Load (kg)	Shore
SCBR 38	34	19	10,75	20,75	11	20,5	5	3	30	611065	138045	35	45 Sh
SCBR 42	42	21,25	13	31,5	9,5	31,5	6	6	40	611080	138051	75	60 Sh
SCBR 45	42	25,5	10,5	31,5	10	30	11	10	56	611080	138027	100	60 Sh

Type	Øext (mm)	Øint (mm)	Thickness (mm)	Code	Weight (kg)
SCB 38 WASHER	38	12,5	3	611065	0,04
SCB 42 WASHER	54	12,5	3	611080	0,051
SCB 45 WASHER	54	12,5	3	611080	0,051

NATURAL FREQUENCY
AMC MECANOCAUCHO® TYPE SCBR



LOAD DEFLECTION CURVE
AMC MECANOCAUCHO® TYPE SCBR



* AMC S.A. reserves the right to modify the design and manufacture of the materials presented in this catalogue without prior notice.