

MARINE MOUNT TYPE XD

DESCRIPTION

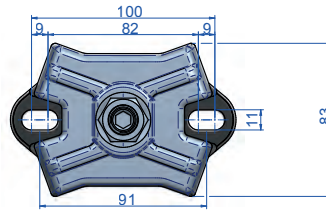
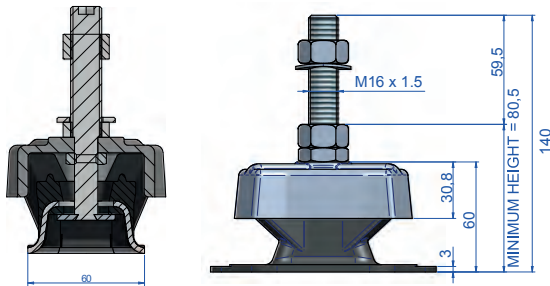
The XD Marine type AMC-MECANOCAUCHO® mounts are ideal for mobile applications where a higher degree of isolation is required.

Its specific design allows lower vertical and radial stiffness rates. This feature is particularly useful on those applications where a high vibration isolation rate is required even if the machine runs at low idle speeds. The metal parts are robust and incorporate a fail-safe device in order to resist traction forces.



Example of installation on a 3cyl engine

SECTION A-A



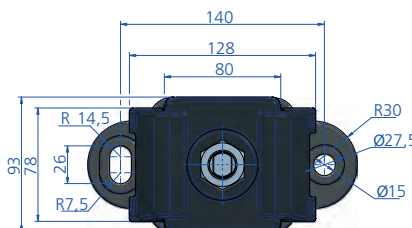
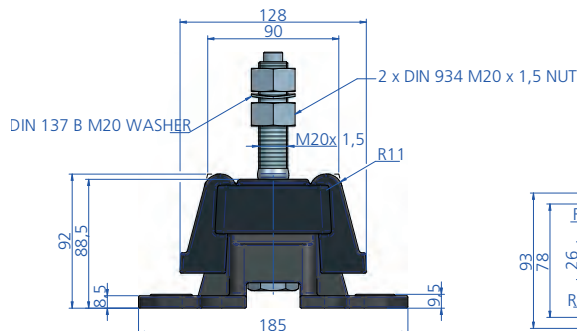
Type	Weight (gr)	Shore	Load kg max.	Code
MARINE MOUNT type XD	655	40 Sh	40	136151
		50 Sh	60	136152
		60 Sh	75	136153
		70 Sh	100	136154

MARINE MOUNT TYPE XT

DESCRIPTION

The AMC Mecanocaucho® MARINE XT Captive anti vibration mounts are anti vibration elements which work the rubber in both shear and compression. Their design has been tailored to provide a specific stiffness in each axis, a key benefit is providing a reduced roll natural frequency for engine installations.

The AMC Mecanocaucho® MARINE XT Captive mount is especially recommended for harsh applications where vibration isolation is a crucial factor, such as the isolation of rotating or mobile machines that are continuously subjected to shock forces. A high level of corrosion resistance is achieved which ensures protection from substances such as dripping oil/diesel and also in applications where there is exposure to the elements. Furthermore, thanks to their high stiffness in one of its directions, excellent results can be achieved for applications in which the thrust from the engine is high.



Type	Weight (gr)	Shore	Load kg max.	Code
MARINE MOUNT type XT	4659	35 Sh	150	136330
		45 Sh	225	136331
		55 Sh	350	136332
		65 Sh	500	136333