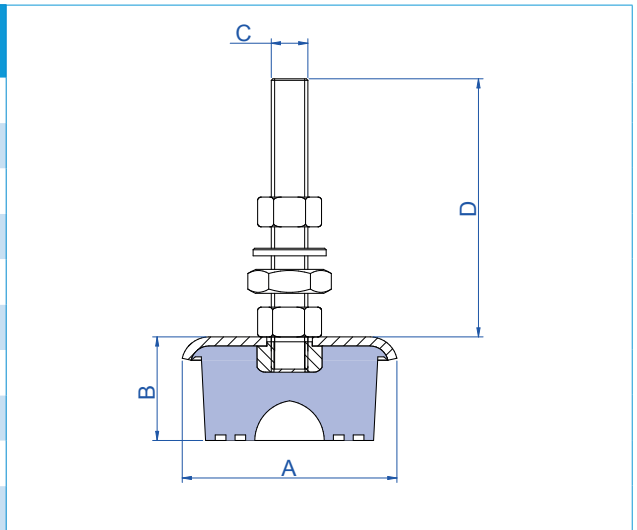


**APPLICATIONS**

The SV-type AMC MECANOCAUCHO® mounts are used in cases where light or heavy machines are not fixed to the floor or ground. The height adjustment system can be used to adjust the machines to the required level, thus insulating areas nearby from vibrations and reducing noise.



Type	A (mm)	B (mm)	C (mm)	D (mm)	Load kg min.	Load kg max.	Code	Weight (gr.)
000	45	23	M-8	48	20	80	143001	91
00	60	28	M-10	81	60	120	143002	235
0	70	34	M-12	89	90	160	143003	350
1	85	32	M-12	89	130	350	143004	456
2	100	40	M-14	109	270	600	143005	702
3	120	37	M-16	116	450	900	143006	954
4	140	55	M-16	116	700	1200	143007	1513
5	160	60	M-16	116	1100	1750	143008	1865
6	180	70	M-24	138	1500	2500	143009	3034
7	210	75	M-24	138	2100	3750	143010	4248

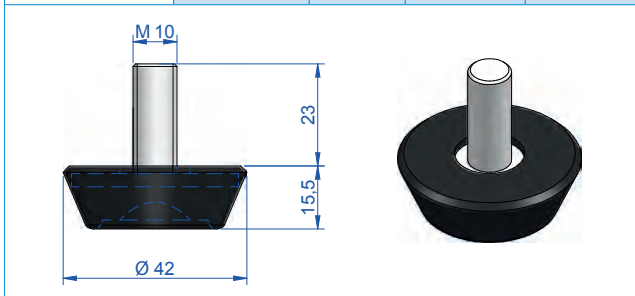


\* Can be supplied in stainless steel.

**AMC MECANOCAUCHO® TYPE JT**

**APPLICATIONS:** Levelling machine mounts

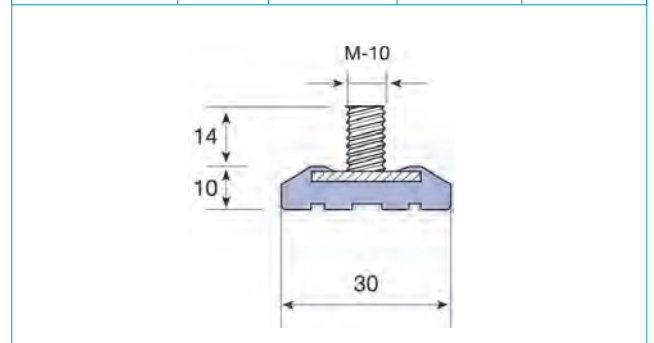
Type	Code	Load (kg)	Weight (gr.)	Shore
JT Type	144001	25-40	53	50 Sh
	144002	75-100	53	75 Sh



**AMC MECANOCAUCHO® TYPE SX**

**APPLICATIONS:** Levelling machine mounts

Type	Shore	Code	Load (kg)	Weight (gr.)
SX Type	50 Sh	145001	10-25	25



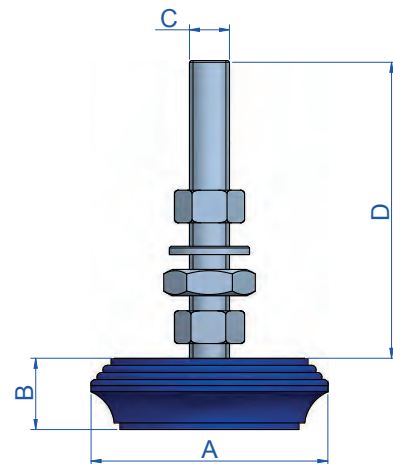
## LOW SV

### APPLICATIONS

The LOW SV-type AMC MECANOCAUCHO® anti vibration mounts are used in cases where light or heavy machines are not fixed to the floor or ground. The height adjustment system can be used to adjust the machines to the required level, thus insulating areas nearby from vibrations and reducing noise.



Type	A (mm)	B (mm)	C (mm)	D (mm)	Load kg min.	Load kg max.	Code	Weight (gr.)
000 B	43	16	M-8	45	40	80	147000	257
00 B	60	18	M-10	81	60	120	147001	334
0 B	70	20	M-12	89	90	160	147002	286
1 B	84	25	M-12	88	130	350	147003	382
2 B	100	20	M-14	109	270	600	147004	574
3 B	120	25	M-16	116	450	900	147005	867
4 B	140	33	M-16	116	700	1200	147006	1300
5 B	160	36	M-16	116	1100	1750	147007	1556
00 B STAINLESS STEEL	60	18	M-10	81	60	120	147014	334
0 B STAINLESS STEEL	70	20	M-12	89	90	160	147013	286
1 B STAINLESS STEEL	85	25	M-12	89	130	350	147012	382
2 B STAINLESS STEEL	100	20	M-14	109	270	600	147015	574
3 B STAINLESS STEEL	120	25	M-16	116	450	900	147011	867
4 B STAINLESS STEEL	140	33	M-16	116	700	1200	147016	1300
5 B STAINLESS STEEL	160	36	M-16	116	1100	1750	147017	1556



## AMC MECANOCAUCHO® TYPE SM

**APPLICATIONS:** Levelling machine mounts.

Type	A (mm)	B (mm)	C (mm)	D (mm)	Load kg max.	Code	Weight (gr.)
S.M.-40	40	18	M-8	48	45	146001	79
S.M.-60	65	28	M-12	89	150	146002	307
S.M.-70	75	29	M-12	89	250	146003	363
S.M.-90	95	30	M-12	89	500	146004	573
S.M.-120	125	31	M-16	116	1000	146005	904

