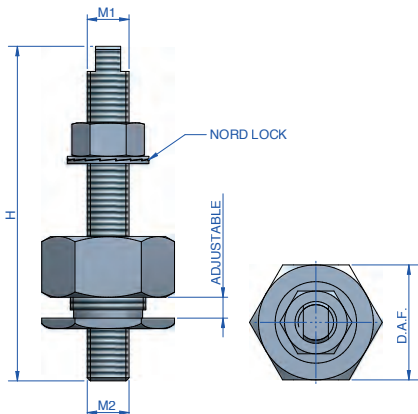


HEIGHT ADJUSTING SYSTEMS

The AMC Mecanocaucho® height adjusting systems can be used to retrofit current installations. Please take into consideration the following information:

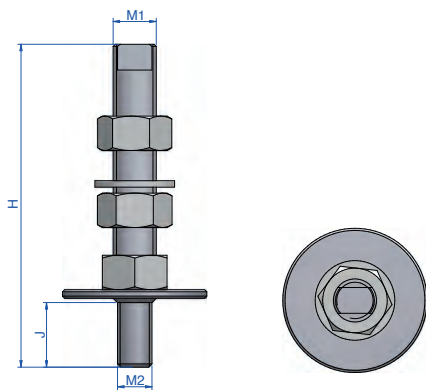
It is recommendable to settle the mountings at least 48hours before the alignment of the engine installation, especially for close coupling tolerances.

The use of high performance glue between the bolt and the mounting is advisable in order to increase the security.



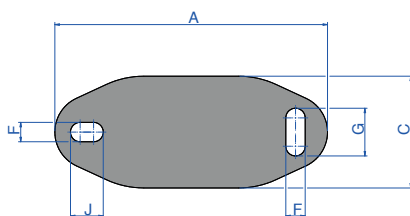
HI-Sec

Type	Code	H (mm)	M1	M2	Adjustable (mm)	Machined head	D.A.F.	Weight (gr.)
HI-SEC	708077	110	M16	M12	± 5	Y	46	357
	708007	110	M16	M16	± 5	Y	46	514
	708094	130	M20	M20	± 5	N	46	775
	708079	110	M20	M16	± 10	Y	55	1095
	708029	160	M20	M20	± 10	Y	55	1011
	708005	160	M20	M20	± 10	N	55	1096
	708011	200	M24	M24	± 10	N	120	2234



S-HA Standard height adjusters

Type	Code	H (mm)	M1	M2	J (mm)	Machined head	Weight (gr.)
STUD	708008	110	M16	M12	25	Y	215
	708003	110	M16	M16	-	Y	285
	708004	130	M20	M20	-	N	475
	708001	100	M12	M12	-	Y	174



Shim

Type	Code	A (mm)	C (mm)	D (mm)	F (mm)	G (mm)	H (mm)	I (mm)	J (mm)	Weight (kg)
SMALL	136301	120	60	100	14	11	3	14	11	-
MEDIUM	136302	183	75	140	30	13	4	13	22	-
LARGE	136303	228	112	182	34	18	5	18	26	-