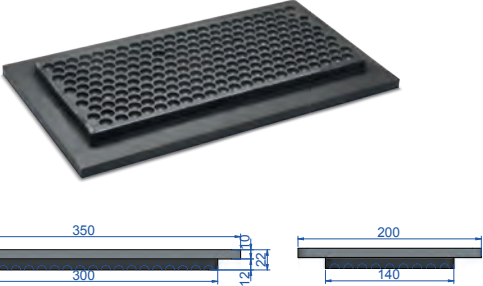


MOUNTS FOR LARGE LOADS

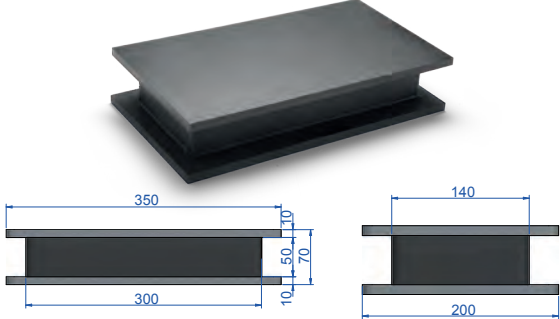
AMC MECANOCAUCHO® ANTI-SKID B

Type	Code	Load (Kg.)	Deflection mm.
ANTI-SKID B	141003	8.000	3



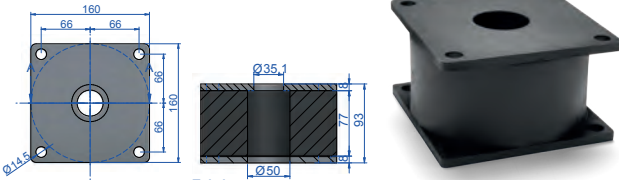

AMC MECANOCAUCHO® TYPE B

Type	Code	Load (kg)
Type B	141004	10000



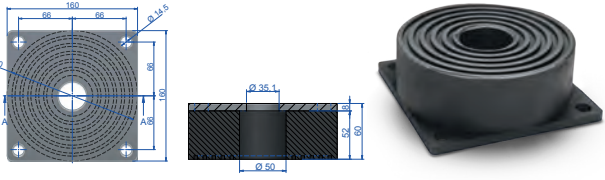
AMC MECANOCAUCHO® TYPE P

Type	Code	Weight (kg)	Max. Load (kg)
Type P	141005	2.500	15



AMC MECANOCAUCHO® TYPE ANTI-SKID P

Type	Code	Deflection mm	Max. Load (Kg)
ANTI-SKID P	141006	400x400	6



SANDWICH ANTI VIBRATION MOUNTS

The AMC-MECANOCAUCHO® type Sandwich anti vibration mounts are ideal for static or mobile applications for loads ranging from 50 to 1500kg.

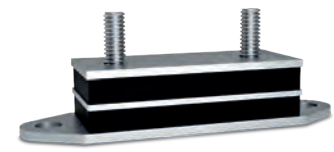
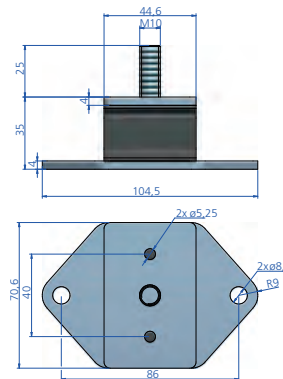
The Sandwich anti vibration mounts consists of three metal plates joined by two rubber blocks.

This is particularly interesting for mobile applications where the vertical movement has to be controlled.

Type	Shore	Weight (kg)	Max. Load (kg)	Code
Sandwich-46x70x35	40Sh	0,332	80	180199
	55Sh	0,332	150	180187
Sandwich-175x51x35	45Sh	0,775	500	148189
	60Sh	0,775	1000	148190
	70Sh	0,775	1500	148191



Sandwich-46x70x35



Sandwich-175x51x35

