

# V-SHAPED GENERATOR MOUNT

## DESCRIPTION

The V-shaped AMC MECANOCAUCHO® Generator supports are comprised of two symmetrically-tilted metal parts with a screw on each side.

## TECHNICAL CHARACTERISTICS

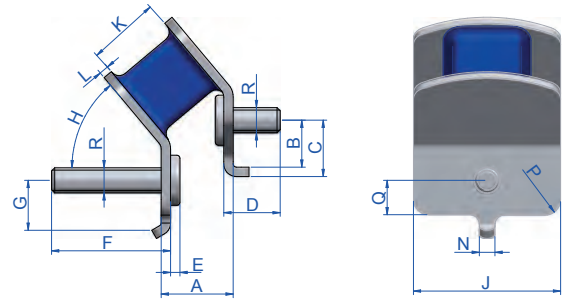
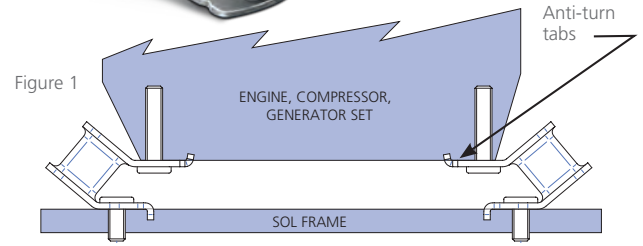
The V-shaped generator mounts render it possible to make installations which are more elastic than the ones usually made with cylindrical or bobbing mounts. This makes it possible to achieve lower frequencies and consequently better vibration isolation.

- Stability is enhanced when two are installed, symmetrically opposed. See fig. 1.
- They have two different length screws which facilitate the assembly of the engine to the chassis. The screws can be supplied in different lengths to order.
- They have two "anti-turn" tabs which stop the mount from turning when strong tightening torque is applied (very frequently) with pneumatic tools.
- They are supplied in 2 hardnesses to adapt to different load ranges.
- They provide vibration attenuation of above 90% in diesel or petrol single-cylinder engines running at 3000 rpm.

## APPLICATIONS

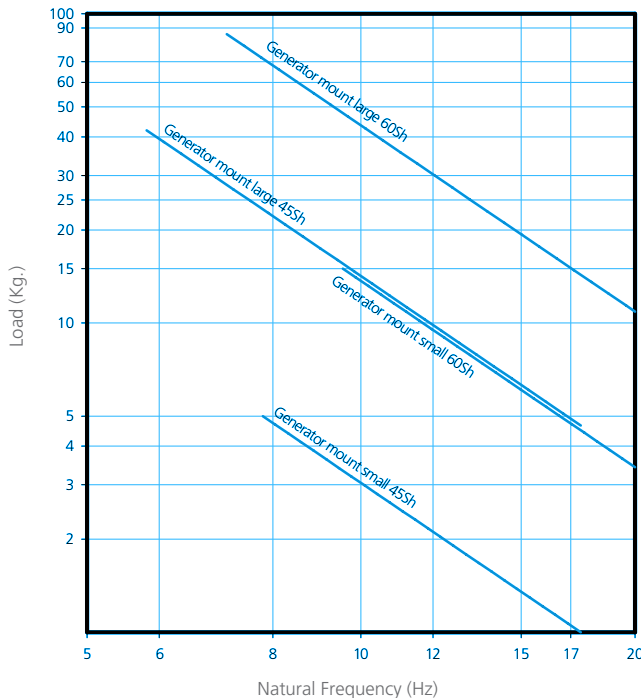
Very low-load engines requiring high levels of isolation.

Portable gensets, compressors, motor pumps...



Type	A (mm)	B (mm)	C (mm)	D (mm)	E (mm)	F (mm)	G (mm)	H (°)	J (mm)	K (mm)	L (mm)	N (mm)	P (mm)	Q (mm)	Weight (gr.)	R (mm)	Code	Load (kg)	Shore
Small	23	14,5	18	18	3	38	15,9	50°	47	23	3	5	5	11	150	M8	148151	5	45 Sh
																	148153	15	60 Sh
Large	28	19,5	22	18	3	38	20	50°	54	31	3	7	10	16	205	M8	148171	40	45 Sh
																	148173	90	60 Sh

NATURAL FREQUENCY AMC MECANOCAUCHO® V-SHAPED GENERATOR MOUNT



LOAD DEFLECTION GRAPH AMC MECANOCAUCHO® V-SHAPED GENERATOR MOUNT

