

CONES WITH FIXATION FLANGE

DESCRIPTION

The cones with fixation flange from AMC MECANOCAUCHO® work the elastomer at shear compression. They are comprised of a high strength external metal armour and a conical internal that is placed concentrically.

TECHNICAL CHARACTERISTICS

The cones with fixation flange from AMC MECANOCAUCHO® are conceived to offer predominant axial elasticity under heavy loads. The used elastomer is a low dynamic rigidification elastomer, which makes it possible to obtain low natural frequencies thus maintaining excellent stability of the suspended unit.

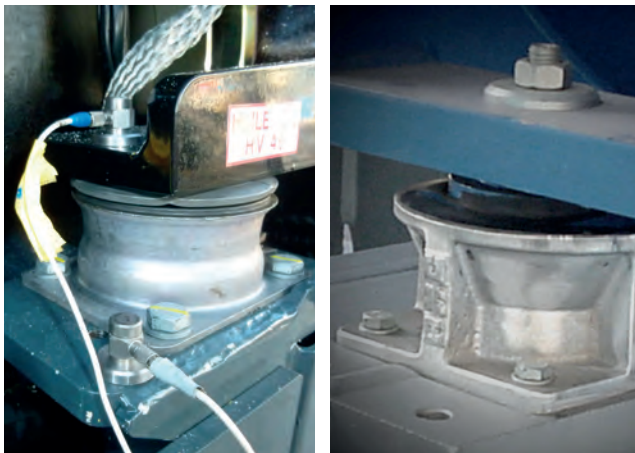
The mount's radial stiffness is superior to the axial. This is particularly interesting for applications where great horizontal stability needs to be maintained.

The AMC MECANOCAUCHO® Cone 100 mount is supplied with a height adjuster. This makes it possible to easily align transmission shafts without having to use additional accessories to do so.

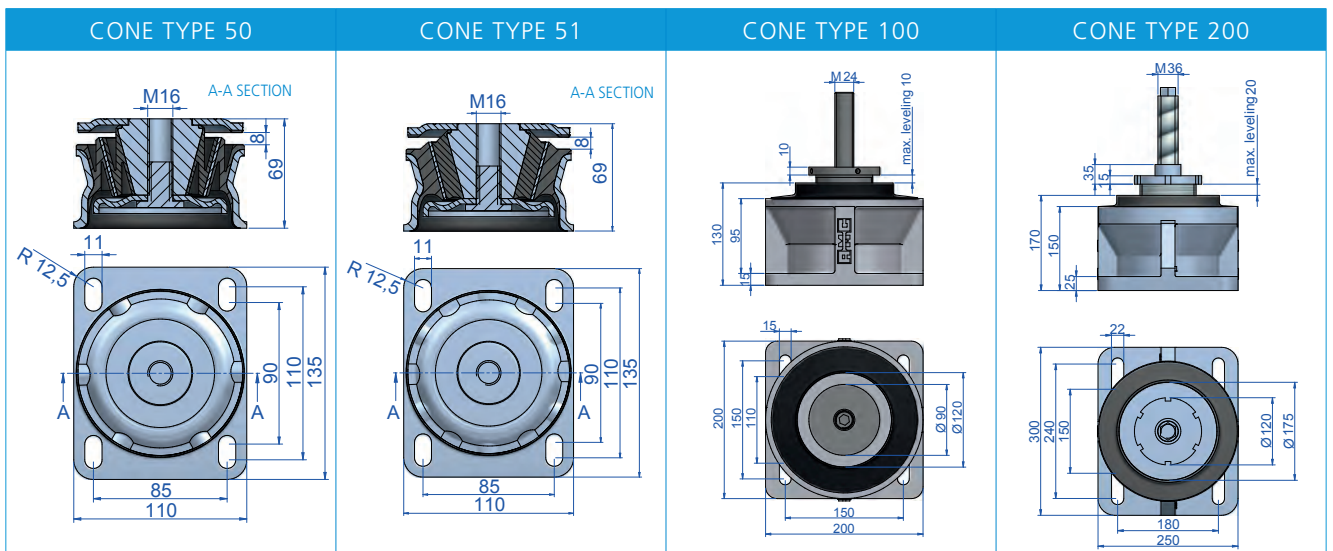
All the models also incorporate an interlocking metal part that allow them to act as a FAILSAFE system. Thanks to this, and to the ruggedness of the metal parts, this mount is suitable for applications where the suspended unit is submitted to great shocks.

APPLICATIONS

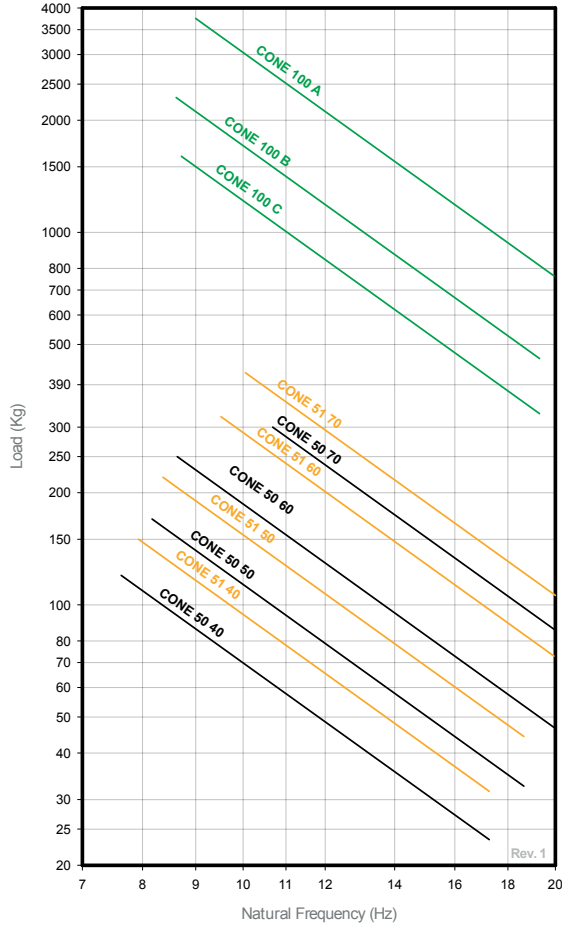
The AMC MECANOCAUCHO® cones with fixation flange have been designed specially for use in engines and auxiliary machinery for static applications and for applications in all kinds of vehicles.



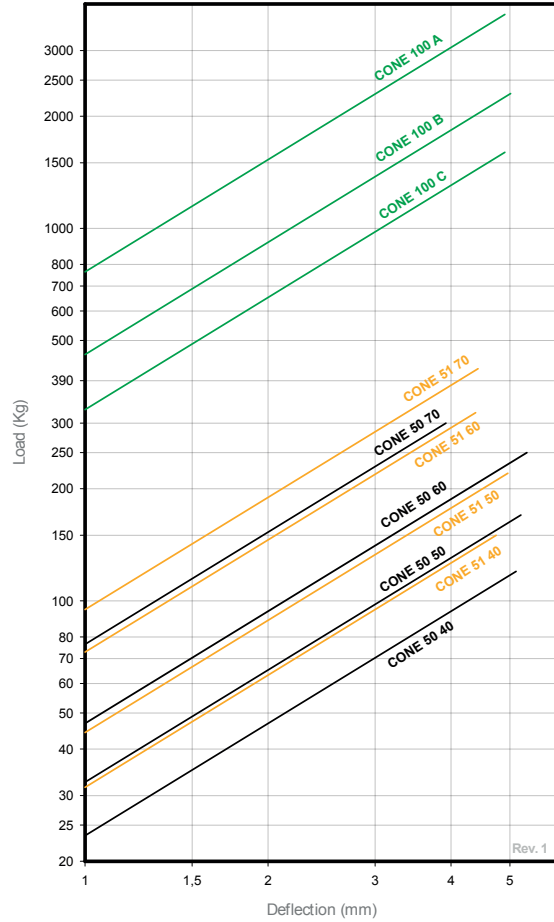
Type	Weight (gr.)	Code	Load (kg)	Shore
Cone 50 M16x2	1600	137085	120	40 Sh
		137086	170	50 Sh
		137087	250	60 Sh
		137088	300	70 Sh
Cone 50 M16x1,5	1600	137231	120	40 Sh
		137233	170	50 Sh
		137235	250	60 Sh
		137237	300	70 Sh
Cone 51 M16x2	1750	137095	150	40 Sh
		137096	220	50 Sh
		137097	320	60 Sh
		137098	420	70 Sh
Cone 51 M16x1,5	1750	137241	150	40 Sh
		137243	220	50 Sh
		137245	320	60 Sh
		137247	420	70 Sh
Cone 100 A	9626	137213	3750	-
Cone 100 B	9626	137214	2300	-
Cone 100 C	9626	137215	1600	-
Cone 200 A	29000	137810	8500	-
Cone 200 B	29000	137801	6500	-
Cone 200 C	29000	137805	3900	-



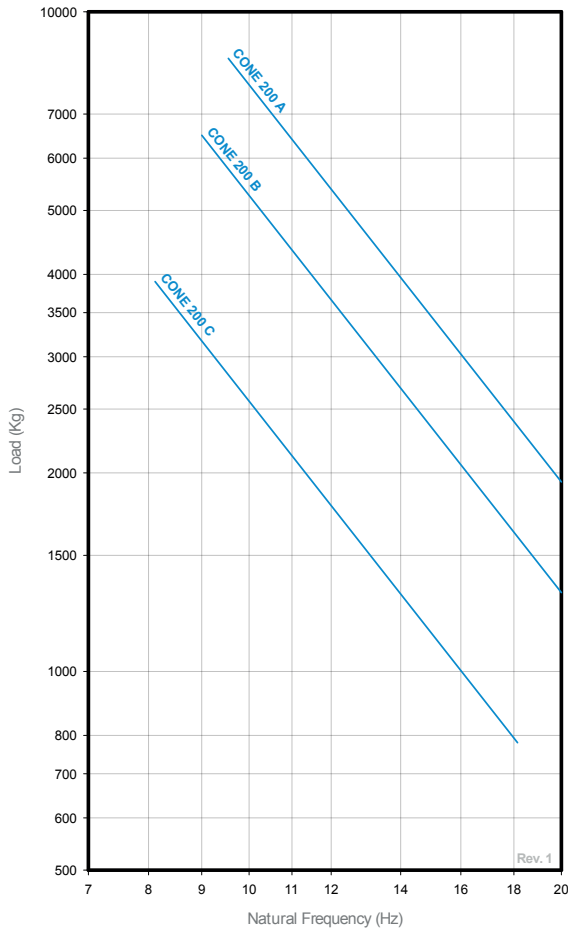
NATURAL FREQUENCY - AMC MECANOCAUCHO®
CONE WITH FIXATION FLANGE



LOAD DEFLECTION GRAPH - AMC MECANOCAUCHO®
CONES WITH FIXATION FLANGE



NATURAL FREQUENCY - AMC MECANOCAUCHO®
CONE 200 WITH FIXATION FLANGE



LOAD DEFLECTION GRAPH - AMC MECANOCAUCHO®
CONE 200 WITH FIXATION FLANGE

