

ECCENTRIC BUSHINGS

DESCRIPTION

On the eccentric bushings the center points of the inner and outer cylinders are not the same. As a result it is more flexible in the direction of the main load and it keeps the same control in the other direction.

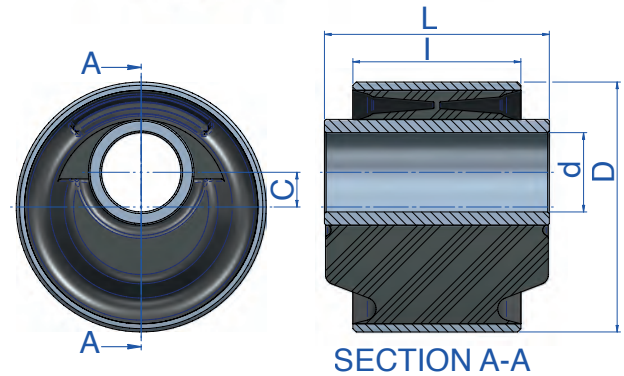
TECHNICAL CHARACTERISTICS

- Optimal vibration damping and isolation.
- Fit to use for robust and safe constructions.
- Simple installation and application.

APPLICATION

The AMC MECANOCAUCHO® eccentric bushing is best suited to the following situations and applications:

- Tilting cab suspension.
- Suspension arms.



Type	d (mm.)	C (mm.)	D (mm.)	I (mm.)	L (mm.)	Code	Shore	Max. Load (kg)
MINI	16	7,1	47,6	50,8	63,5	154161	45	110
						154163	60	180
SMALL	24	10,5	75,3	50,8	68	154159	45	200
						154158	60	390
LARGE	43,7	9,5	101,6	63,5	72,4	154154	45	290
						154155	60	510
100 HD						154181	50	225
						154182	55	290
						154183	66	350
100 RD						154175	50	450

