

**DESCRIPTION**

AMC MECANOCAUCHO® DSD mounts design provides excellent radial and axial flexibility making them most suitable for the suspension of machines where isolation of both vertical and horizontal vibration components occur.

DSD mounts comprise of two flat metal parts. Top metal part is circular with either a tapped central hole or interior welded nut for attachment to the machine frames. Lower metal part has an oval contour with two machined holes, one at each end, to securely attach the mountings to the support structure for the machine.

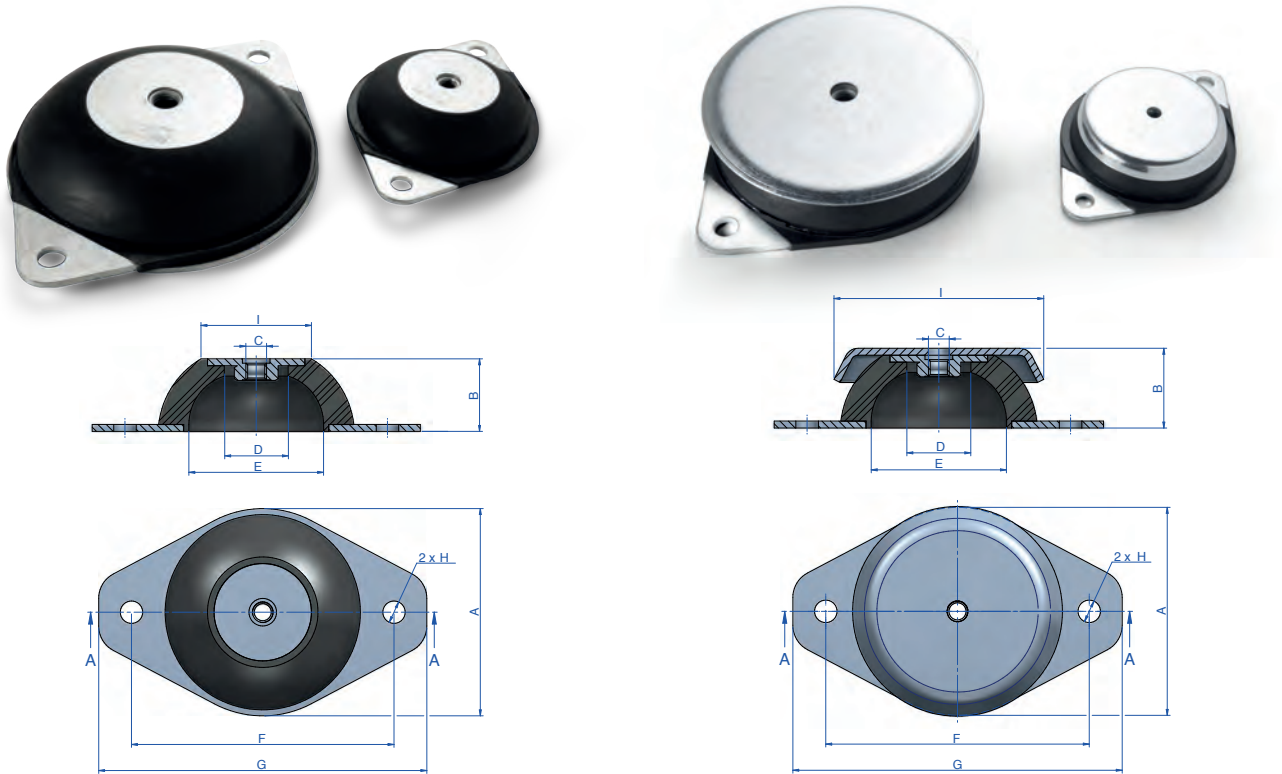
**TECHNICAL CHARACTERISTICS**

DSD mountings comparable stiffness vertically and horizontal making them very effective against random vibrations in either plane.

**APPLICATIONS**

DSD mountings are particularly suitable for applications with low to medium dynamic amplitudes which enables the mountings stiffness rates to provide effective isolation .

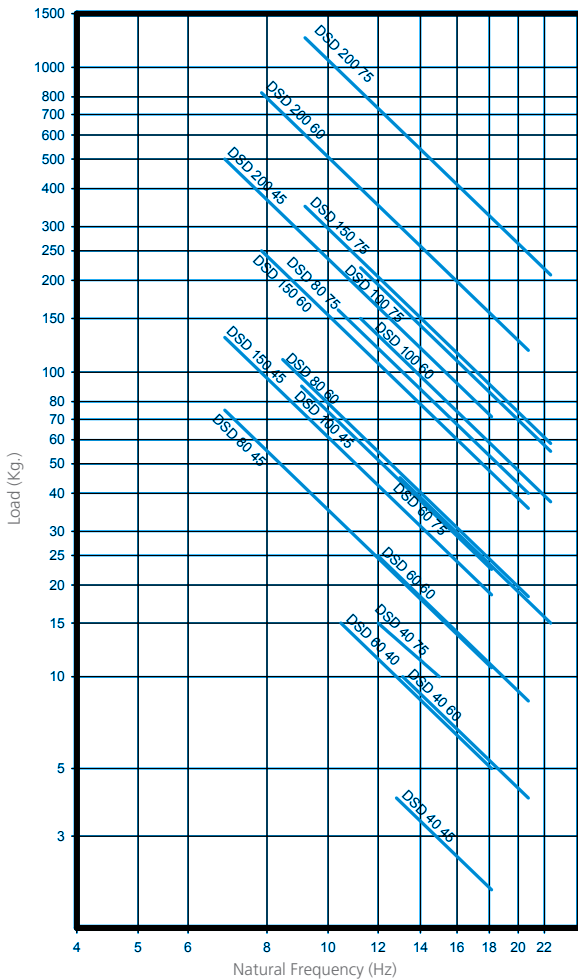
Suitable for HVAC, Ventilators, rotating pumps, torque or frequency converters, electrical engines, etc.



Type	A (mm)	B (mm)	C (mm)	D (mm)	E (mm)	F (mm)	G (mm)	H (mm)	I (mm)	Weight (gr.)	Code	Load (kg)	Shore
DSD 40 + Bell	43	19	M-6	19	29	52	64	6,25	40	48	134028	4	45 Sh
											134029	10	60 Sh
											134030	15	75 Sh
											134031	15	45 Sh
DSD 60 + Bell	60	23	M-6	14	39	76	95	6,5	60,5	128	134032	25	60 Sh
											134033	45	75 Sh
											134034	75	45 Sh
											134035	110	60 Sh
DSD 80 + Bell	86	27	M-8	25	65	100	120	8,5	85	232	134036	150	75 Sh
											134037	90	45 Sh
											134038	160	60 Sh
											134039	220	75 Sh
DSD 100 + Bell	100	28	M-10	22	67	124	149	10,5	103,5	465	134040	130	45 Sh
											134041	250	60 Sh
											134042	350	75 Sh
											134043	500	45 Sh
DSD 150 + Bell	150	37	M-14	34	114	182	214	12	155	1110	134044	825	60 Sh
											134045	1250	75 Sh

Type	A (mm)	B (mm)	C (mm)	D (mm)	E (mm)	F (mm)	G (mm)	H (mm)	I (mm)	Weight (gr.)	Code	Load (kg)	Shore
DSD 40	43	17	M-6	19	29	52	64	6,25	24,5	28	134001	4	45 Sh
											134002	10	60 Sh
											134003	15	75 Sh
											134004	15	45 Sh
DSD 60	60	21	M-6	14	39	76	95	6,5	32	73	134005	25	60 Sh
											134006	45	75 Sh
											134007	75	45 Sh
											134008	110	60 Sh
DSD 80	86	25	M-8	25	65	100	120	8,5	51	130	134009	150	75 Sh
											134010	90	45 Sh
											134011	160	60 Sh
											134012	220	75 Sh
DSD 100	100	25	M-10	22	67	124	149	10,5	54	262	134013	130	45 Sh
											134014	250	60 Sh
											134015	350	75 Sh
											134016	500	45 Sh
DSD 150	150	34	M-14	34	114	182	214	12	76	664	134017	825	60 Sh
											134018	1250	75 Sh

NATURAL FREQUENCY  
AMC MECANOCAUCHO® DSD TYPE



LOAD DEFLECTION GRAPH  
AMC MECANOCAUCHO® DSD TYPE

