

DESCRIPTION

The AMC MECANOCAUCHO® type DRD mounts have a low axial and radial stiffness rate. Their design makes them ideal for those machines that produce vibrations in the 3 directions. The architecture of these mounts is similar to the DSD, but the rubber section is greater, this feature makes them have a lower stiffness rates than the DSD mounts. These mounts are particularly interesting for those applications where an extra isolation is needed.

OPERATION AND ASSEMBLY

The design of the mount allows an easy installation. The top metal part has an inside thread for securing to the machine, the baseplate has 2/4 holes that allow an easy fixation to the frame. Oil anti-drip hoods can be supplied on demand.

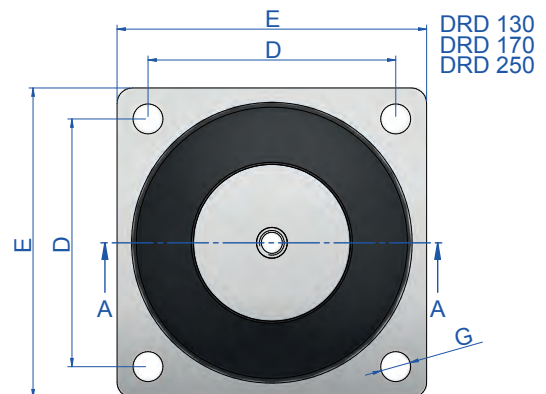
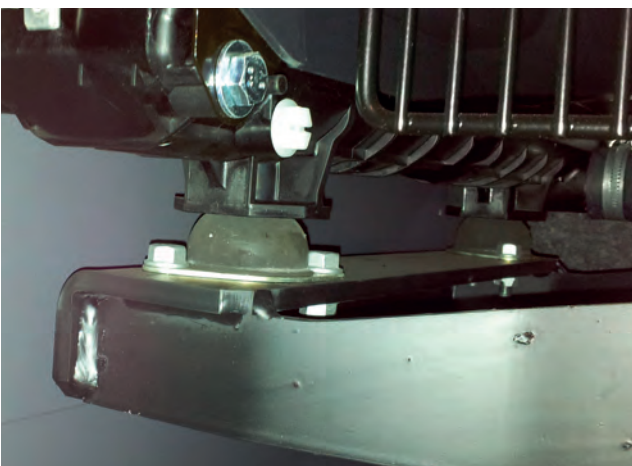
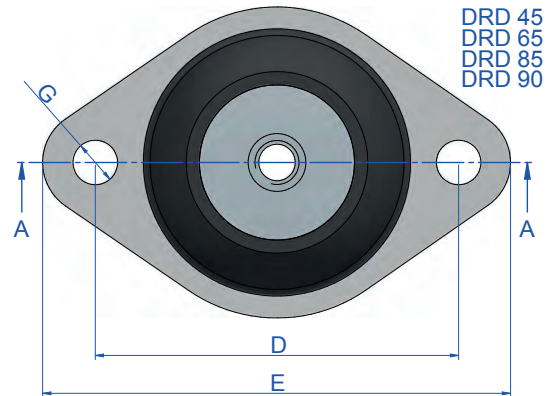
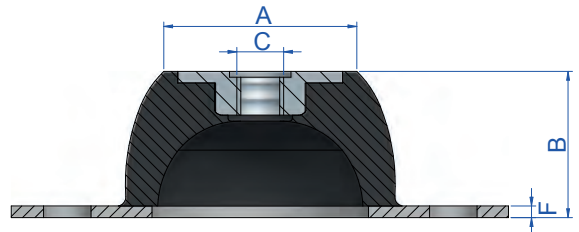
The DRD mounts by MECANOCAUCHO® have the following characteristics.

- The metal parts are protected from corrosion by an electrolytic coating for outdoor work. RoHs compliant.
- We engrave the rubber hardness on the metal parts.

APPLICATIONS

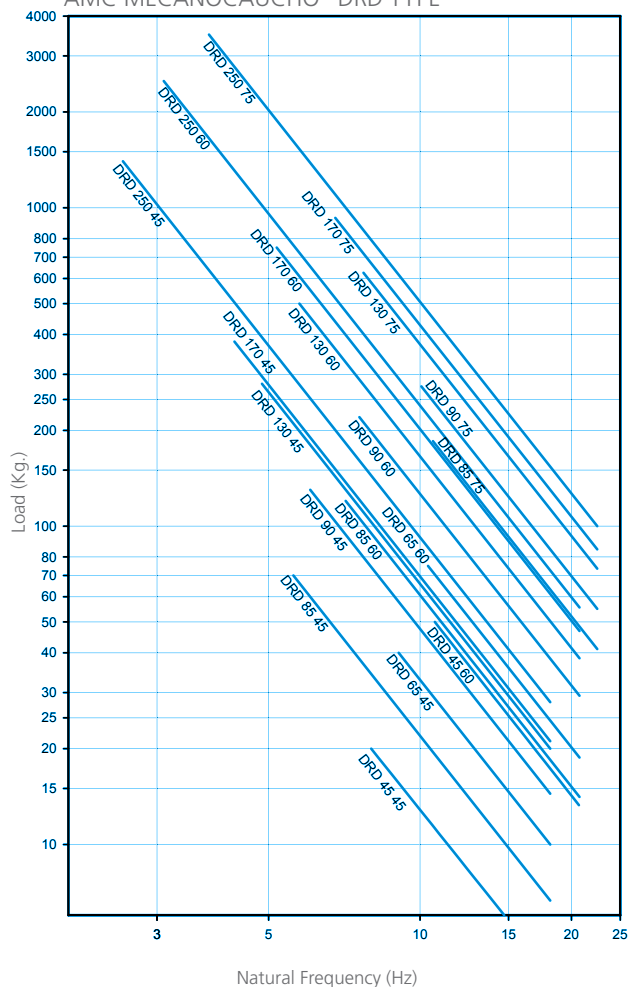
The DRD mounts are ideal for light machines at medium or low excitation frequencies.

- Compressors.
- Air-conditioners.
- Ventilators.
- Vibrating Tables.



Type	A (mm)	B (mm)	C (mm)	D (mm)	E (mm)	F (mm)	G (mm)	Weight (gr.)	Code	Load (kg)	Shore
DRD 45	33	25	M-8	66	85	2	8	70	175081	20	45 Sh
									175083	50	60 Sh
DRD 65	52	35	M-10	92	114	2,5	10,5	170	175001	40	45 Sh
									175002	75	60 Sh
DRD 85	52	40	M-10	110	136	3	11,5	303	175003	75	45 Sh
									175004	120	60 Sh
									175013	185	75 Sh
DRD 90	57,5	45	M-10	125	150	3	12,5	430	175021	130	45 Sh
									175022	220	60 Sh
									175023	275	75 Sh
DRD 130	78	63	M-12	120	150	5	14,5	1080	175031	280	45 Sh
									175032	500	60 Sh
									175033	625	75 Sh
DRD 170	100	84	M-16	160	200	4	14,5	2390	175036	380	45 Sh
									175037	750	60 Sh
									175038	930	75 Sh
DRD 250	187	158	M-24	250	310	6	18,5	10400	175041	1400	45 Sh
									175042	2500	60 Sh
									175044	3150	75 Sh

NATURAL FREQUENCY
AMC MECANOCAUCHO® DRD TYPE



LOAD DEFLECTION GRAPH
AMC MECANOCAUCHO® DRD TYPE

