



DESCRIPTION

The BSB type AMC MECANOCAUCHO® mounts are antivibration elements which work the rubber in shear and compression with an optimal ratio of stiffness and horizontal stability. These mounts are really interesting when stability is a priority in an antivibration suspension.

In applications where the degree of isolation is a priority, we must choose the BRB-type range of AMC MECANOCAUCHO® antivibration mounts.

TECHNICAL CHARACTERISTICS

- The top metal hood protects the rubber from the Ozone, UV rays, diesel or oils which may cause major damage to the rubber.
- The metal parts have a suitable anticorrosive treatment for outdoor applications. RoHs compliant.
- They have an interlocking metal component that provides a fail-safe protection for mobile applications. This device limits the ascending vertical movement when the mounting is submitted to shocks at traction.
- The mounts are clearly identified, as the baseplates are engraved with the type and hardness, which makes it possible to easily recognise the part even after several years of use.
- The hood has a cross stamped on the top, which enhances its stiffness on mobile applications and also improves the evacuation of oils or liquids that splash onto it.

APPLICATIONS

In mobile rotating machines that require control of movements and reasonable values of vibrations and noise, such as:

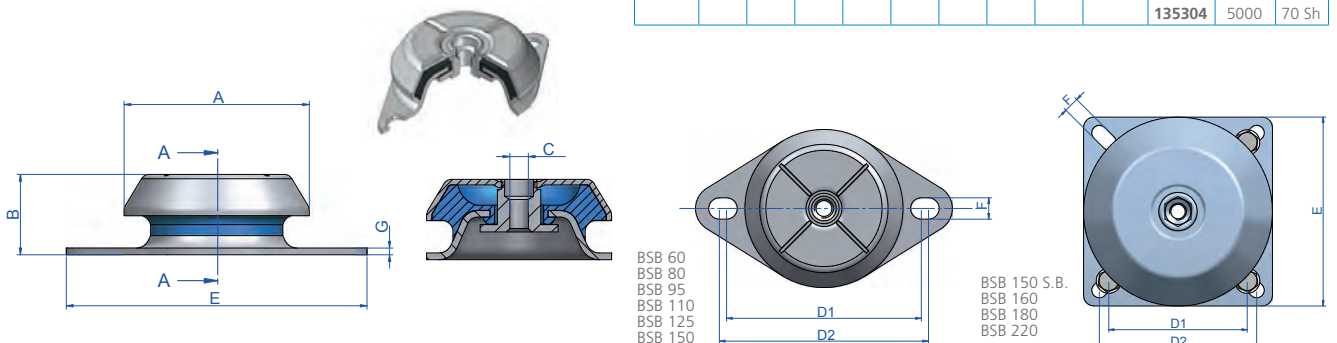
Pumps, Marine-Land auxiliary units, Industrial Vehicles, Compressors, Ventilators...

This mount is suitable for the isolation of mobile rotating machines which are exposed to axial and radial shocks, dripping oil or diesel or exposure to the weather.

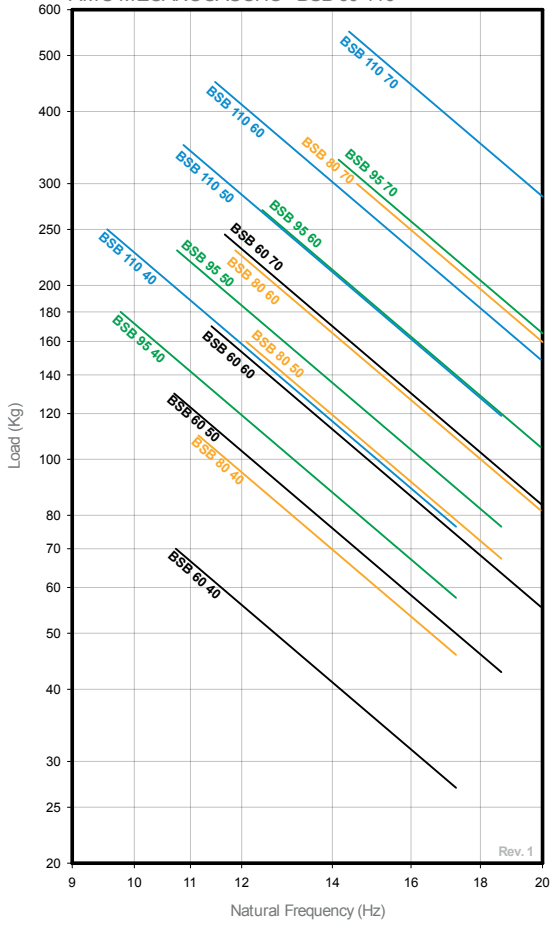
Type	A (mm)	B (mm)	C (mm)	D1 (Min.)	D2 (Max.)	E (mm)	F (mm)	G (mm)	Weight (gr.)	Code	Load (kg)	Shore
BSB 60	64	34	M-10	76,5	90,5	110	9	2,5	235	135106	70	40 Sh
										135109	130	50 Sh
										135107	170	60 Sh
										135108	245	70 Sh
BSB 80 M10	78	31	M-10	108,2	111,2	130	9,2	3	355	135261	110	40 Sh
										135262	160	50 Sh
										135263	230	60 Sh
										135264	300	70 Sh
BSB 80 M12	78	31	M-12	108,2	111,2	130	9,2	3	351	135265	110	40 Sh
										135266	160	50 Sh
										135267	230	60 Sh
										135268	300	70 Sh
BSB 95 M10	92	34	M-10	122	126,4	150	10	3	488	135311	180	40 Sh
										135312	230	50 Sh
										135313	270	60 Sh
										135314	330	70 Sh
BSB 95 M12	92	34	M-12	122	126,4	150	10	3	488	135315	180	40 Sh
										135316	230	50 Sh
										135317	270	60 Sh
										135318	330	70 Sh
BSB 110 M12	106	37	M-12	137	150	175	13	3	785	135335	250	40 Sh
										135336	350	50 Sh
										135337	450	60 Sh
										135338	550	70 Sh
BSB 110 M16	106	37	M-16	137	150	175	13	3	785	135150	250	40 Sh
										135151	350	50 Sh
										135152	450	60 Sh
										135153	550	70 Sh
BSB 125	123	43	M-16	154	162	190	14	4	1109	135351	450	40 Sh
										135352	550	50 Sh
										135353	690	60 Sh
										135354	900	70 Sh
BSB 150 S.B.	156	49	M-16	125	132	164	14,5	4	2060	135371	750	40 Sh
										135372	950	50 Sh
										135373	1300	60 Sh
										135374	1650	70 Sh
BSB 150	156	49	M-16	176	188	218	14,5	4	1818	135361	750	40 Sh
										135362	950	50 Sh
										135363	1300	60 Sh
										135364	1650	70 Sh
BSB 160	156	57	M-20	140	140	170	14,5	4	2200	135381	900	40 Sh
										135382	1200	50 Sh
										135383	1600	60 Sh
										135384	2300	70 Sh
BSB 180	180	67	M-20	149	163	192	14,5	4	3800	135181	1300	40 Sh
										135184	1750	50 Sh
										135182	2100	60 Sh
										135183	2900	70 Sh
BSB 220	230	105	M-24	180	180	220	19	6	6716	135301	2500	40 Sh
										135302	3200	50 Sh
										135303	4000	60 Sh
										135304	5000	70 Sh

S.B. = Square Base

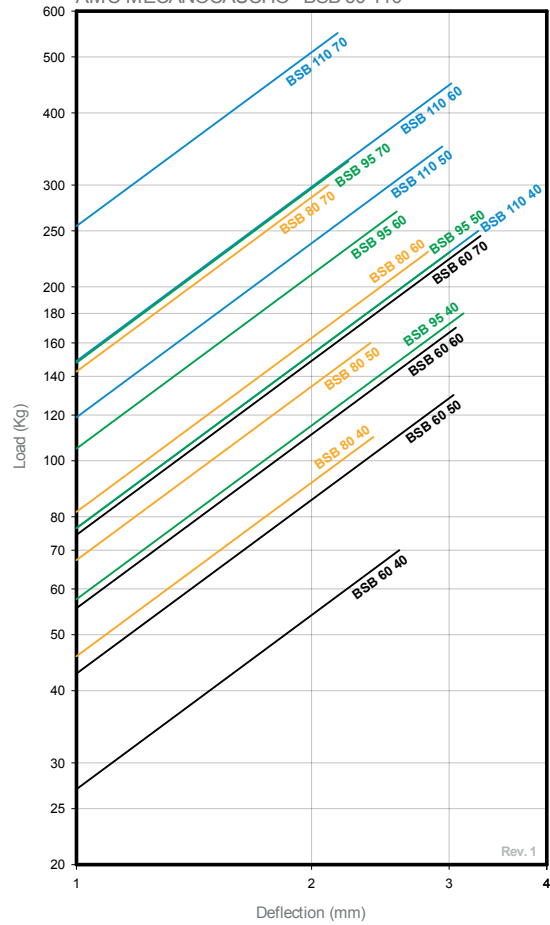
MARINE CERTIFICATES



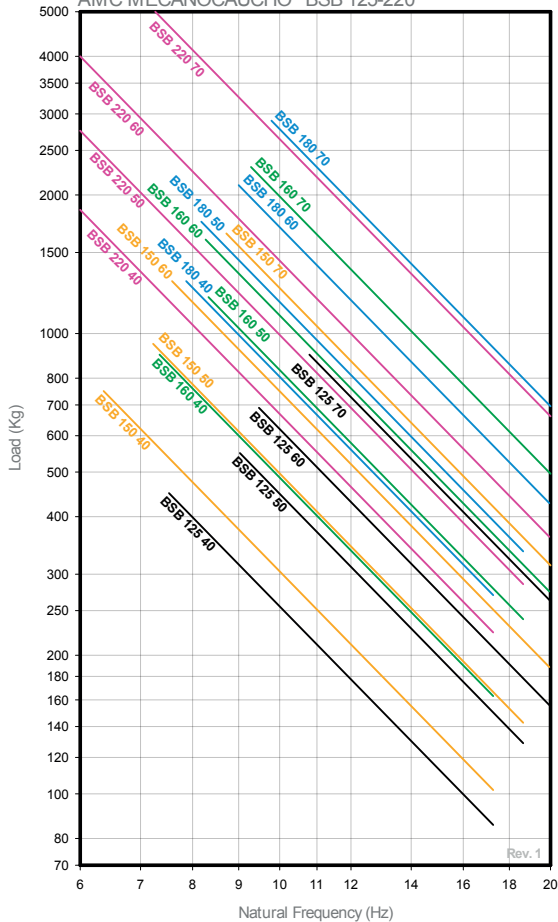
NATURAL FREQUENCY
 AMC MECANOCAUCHO® BSB 60-110



LOAD DEFLECTION GRAPH
 AMC MECANOCAUCHO® BSB 60-110



NATURAL FREQUENCY
 AMC MECANOCAUCHO® BSB 125-220



LOAD DEFLECTION GRAPH
 AMC MECANOCAUCHO® BSB 125-220

