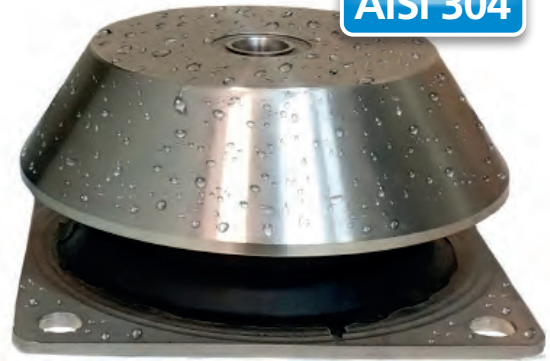


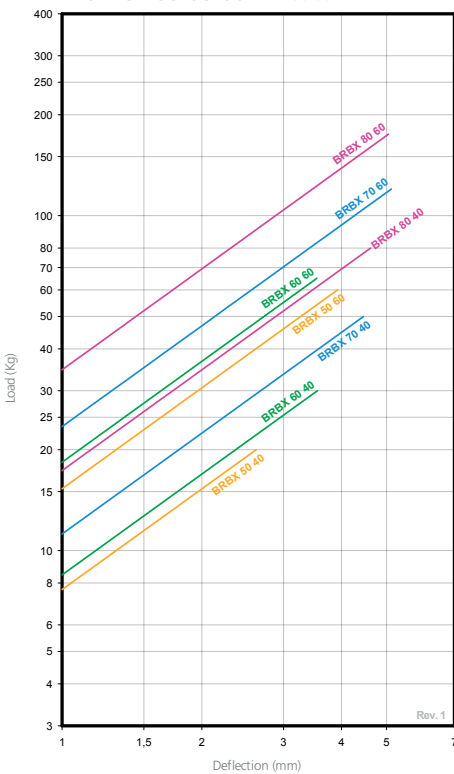
APPLICATIONS

AMC Mecanocaucho® BRBX Captive anti vibration mounts are anti vibration elements which work the rubber in shear and compression. Their high profile rubber sections produce larger deflections, low natural frequencies. This range of mounts is suitable for applications where vibration isolation is a priority.

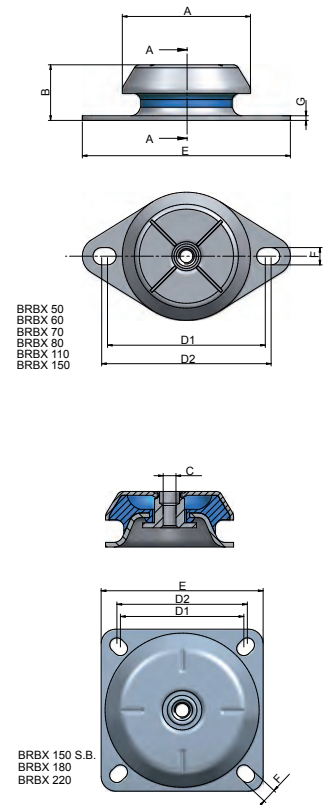
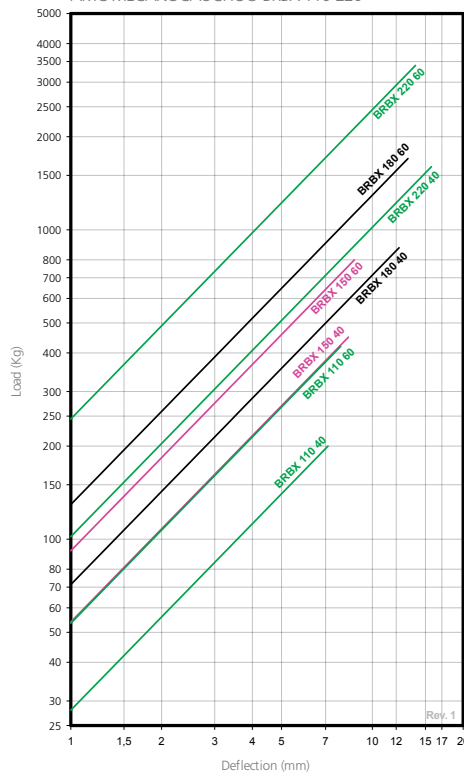
AMC Mecanocaucho® BRBX Captive mount is especially recommended for applications where vibration isolation is necessary, such as isolation of rotating or mobile machines that are continuously subjected to shocks, dripping oil or diesel or are exposed to the elements.



LOAD DEFLECTION GRAPH
AMC MECANOCAUCHO® BRBX 50-80



LOAD DEFLECTION GRAPH
AMC MECANOCAUCHO® BRBX 110-220



Type	A (mm)	B (mm)	C (mm)	D1 (Min.)	D2 (Max.)	E (mm)	F (mm)	G (mm)	Weight (gr.)	Load (kg)	Shore	Code
BRBX 50	50	25	M-8	61	70	85	6,5	2	117	20	40Sh	135969
										60	60Sh	135973
BRBX 60	64	35	M-10	76,5	90,5	110	9	2,5	225	30	40Sh	135687
										65	60Sh	135914
BRBX 70	64	35	M-12	100	100	120	11	3	253	50	40Sh	135935
										120	60Sh	135936
BRBX 80	83	35	M-12	108	112	135	11	3	398	80	40Sh	135956
										175	60Sh	135949
BRBX 110	106	41	M-12	137	149	175	13	3	857	200	40Sh	135735
										420	60Sh	135736
BRBX 150	156	53,5	M-16	176	188	218	14,5	4	1840	450	40Sh	135975
										800	60Sh	135984
BRBX 150 S.B.	156	53,5	M-16	125	132	164	14,5	4	2030	450	40Sh	135993
										800	60Sh	135994
BRBX 180	186	84	M-20	146	150	181	14	5	3800	875	40Sh	135396
										1700	60Sh	135466
BRBX 220	230	105	M-24	180	180	220	19	6	6716	1600	40Sh	135461
										3400	60Sh	135463