

Anti vibration
mounts

ASCALEX
3755 Place Java, Local 160
Brossard, Qc.
J4Y 0E4

Contrôle
Bruits
Vibrations
Vibrations
Noises
Control

AMC
MECANOCAUCHO
NOISE AND
VIBRATION
SOLUTIONS

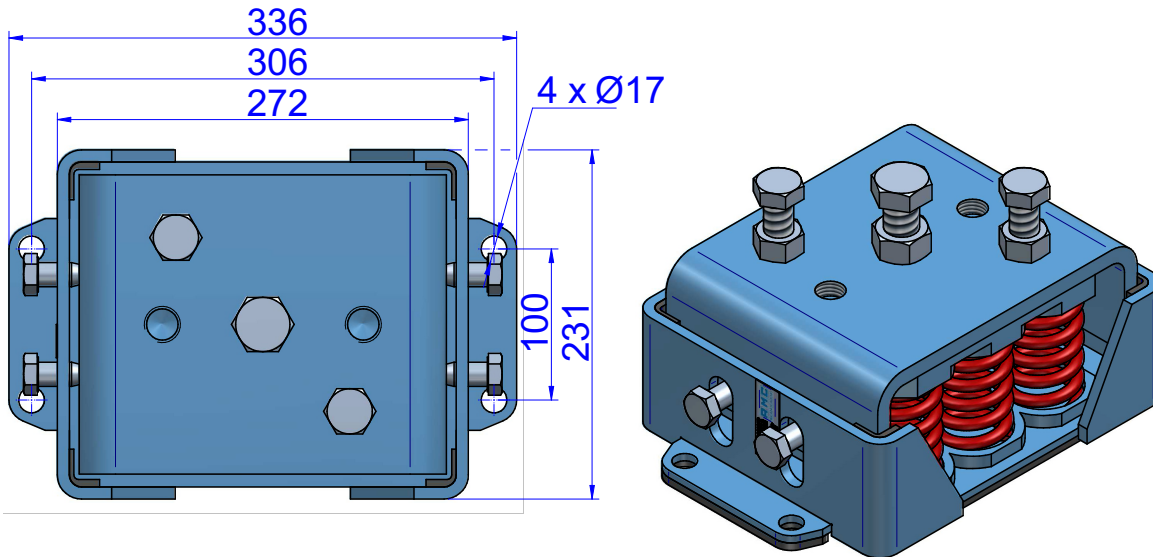
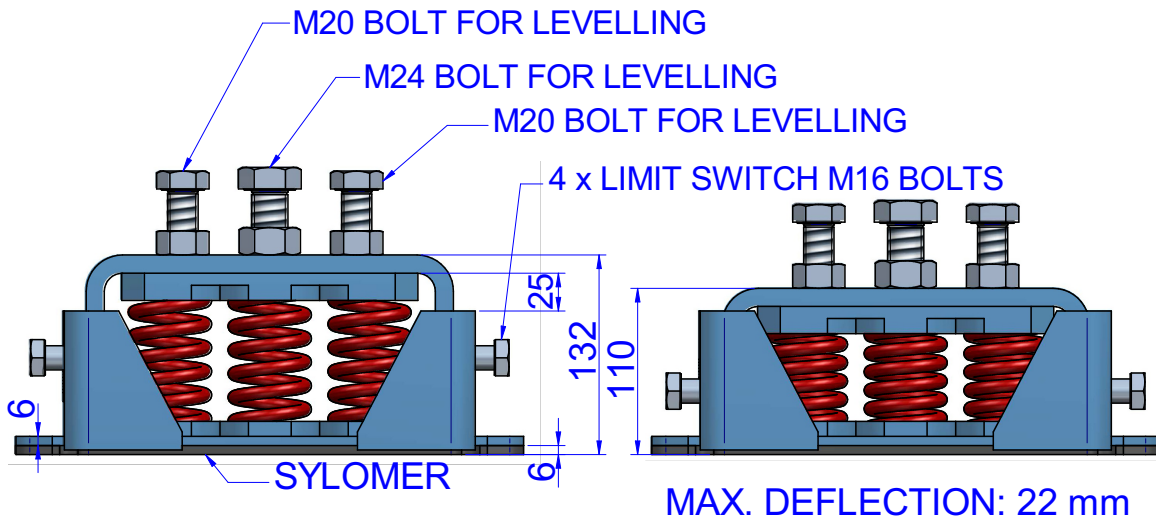
9 AMC ANTI-SEISMIC



These brackets are made of mechanical anchoring systems which ensure your unit applications static and provide high reliability for the isolation of low frequency vibrations. In order to improve their performance in seismic applications the technical department of AMC-MECANOCAUCHO designed a new internal architecture to resist such environments.



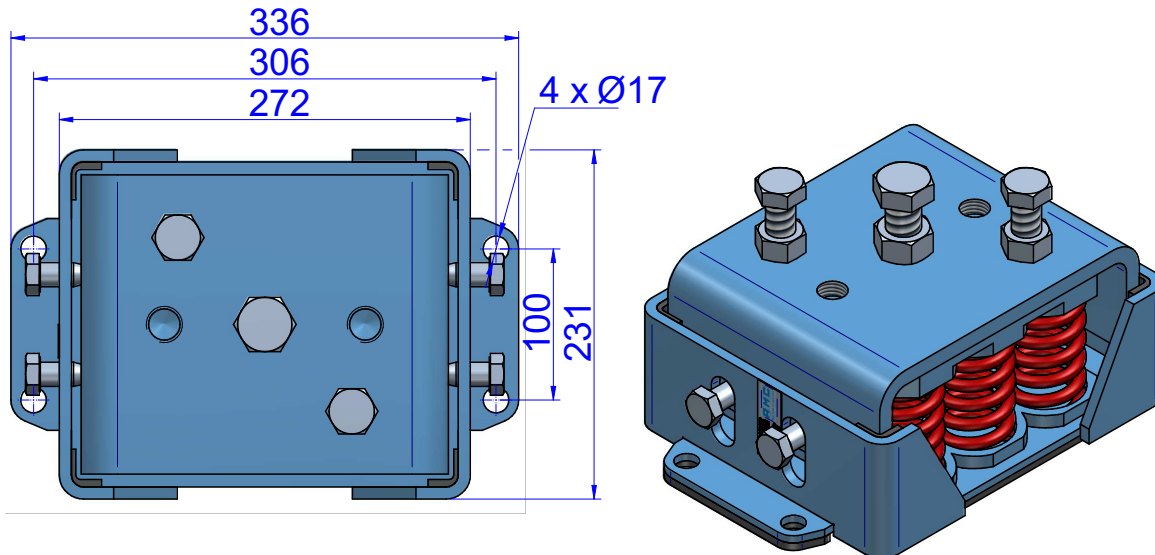
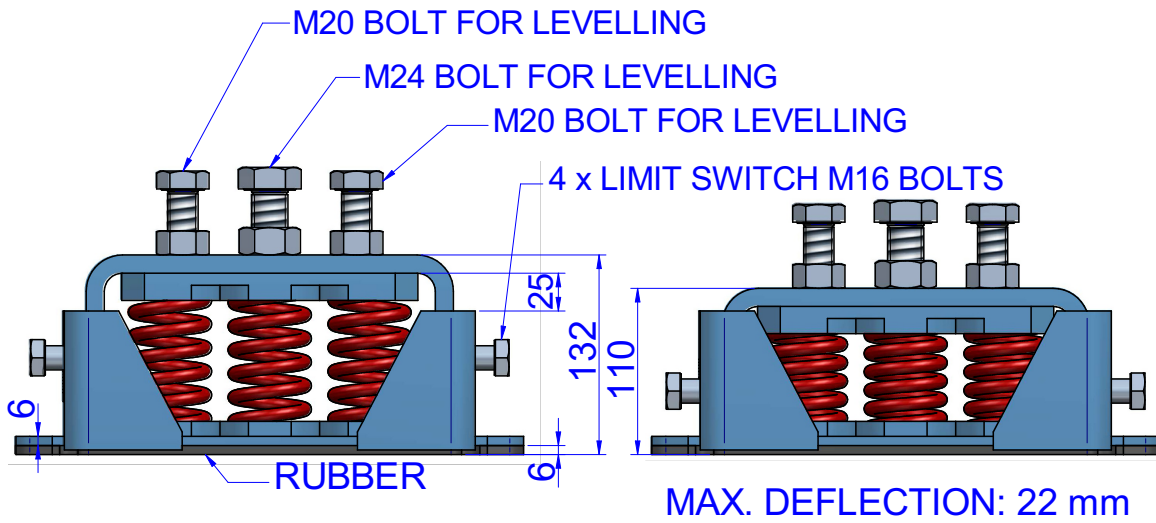
DRAWINGS



DIMENSIONS

Type	Max. Load (kg)	No. Springs	Spring color	Deflection (mm)	K (N/mm)	Weight (kg)	Code
9 AMC ANTI-SEISMIC + SYLOMER	1800	9	YELLOW	22	831	21,483	20990
	2745	9	PURPLE	22	1310	21,483	20992
	3645	9	GREEN	22	1490	22,158	20993
	4860	9	GREY	22	2291	23,175	20994
	5508	9	WHITE	22	2552	22,401	20995
	7227	9	RED	22	3526	23,949	20996

DRAWINGS



DIMENSIONS

Type	Max. Load (kg)	No. Springs	Spring color	Deflection (mm)	K (N/mm)	Weight (kg)	Code
9 AMC ANTI-SEISMIC	1800	9	YELLOW	22	831	21,598	20959
	2745	9	PURPLE	22	1310	21,598	20961
	3645	9	GREEN	22	1490	22,273	20962
	4860	9	GREY	22	2291	23,29	20963
	5508	9	WHITE	22	2552	22,516	20964
	7227	9	RED	22	3526	24,064	20965

Elastical properties

LOAD DEFLECTION GRAPH AMC MECANOCAUCHO® 9 AMC ANTISEISMIC

