

# 6V-SR ANTI SEISMIC MOUNTS



- A spring with high elasticity and very low natural frequency
- An incorporated levelling system
- A Sylomer pad under the mount base in order to isolate mid-high frequencies comes standard

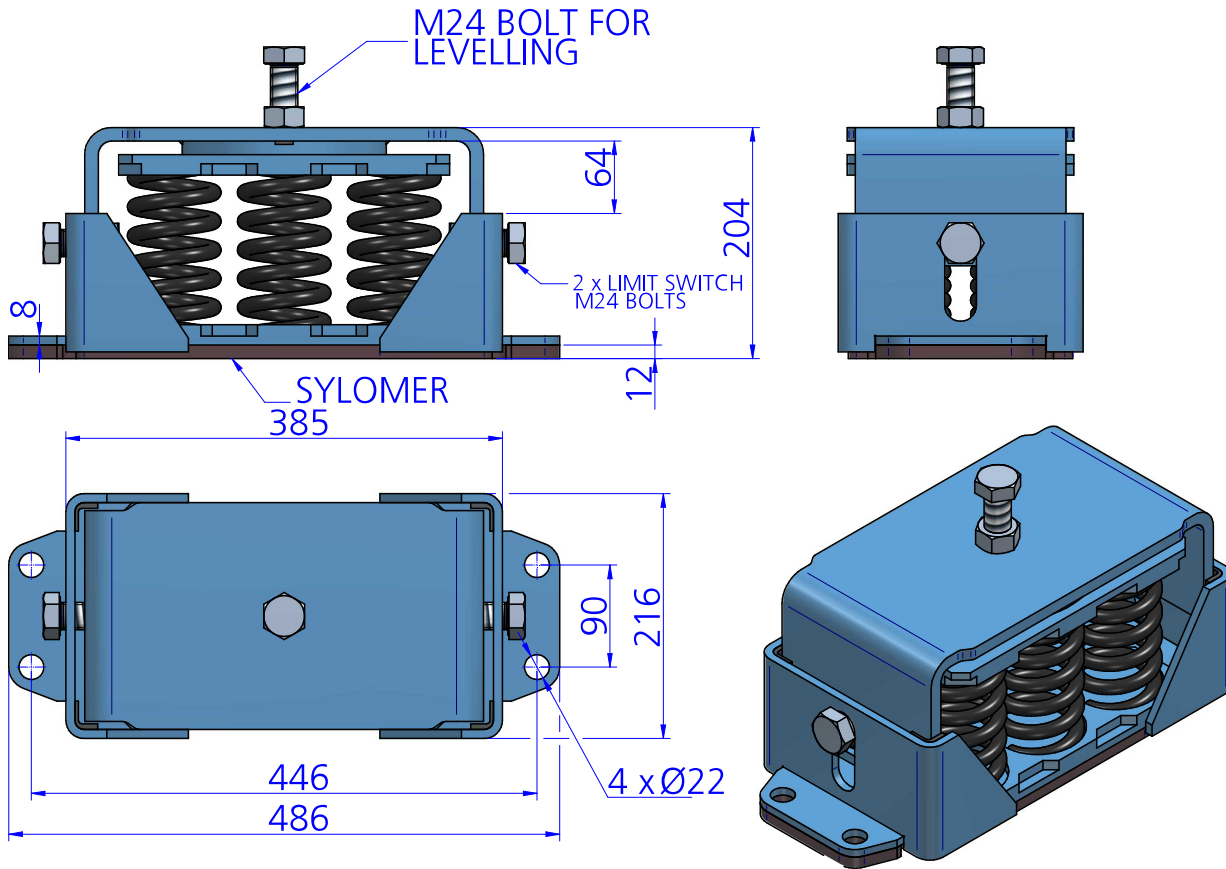
## TECHNICAL CHARACTERISTICS

The mounts are able to reach low natural frequencies from 3 to 5 Hz. The spring combined with sylomer® is able to provide high isolation at low and medium frequencies.

The curves are showing the deflection and natural frequencies according to the load of the spring. Temperature working range from -30 to 70°. Short term higher temperatures are possible.



DRAWINGS

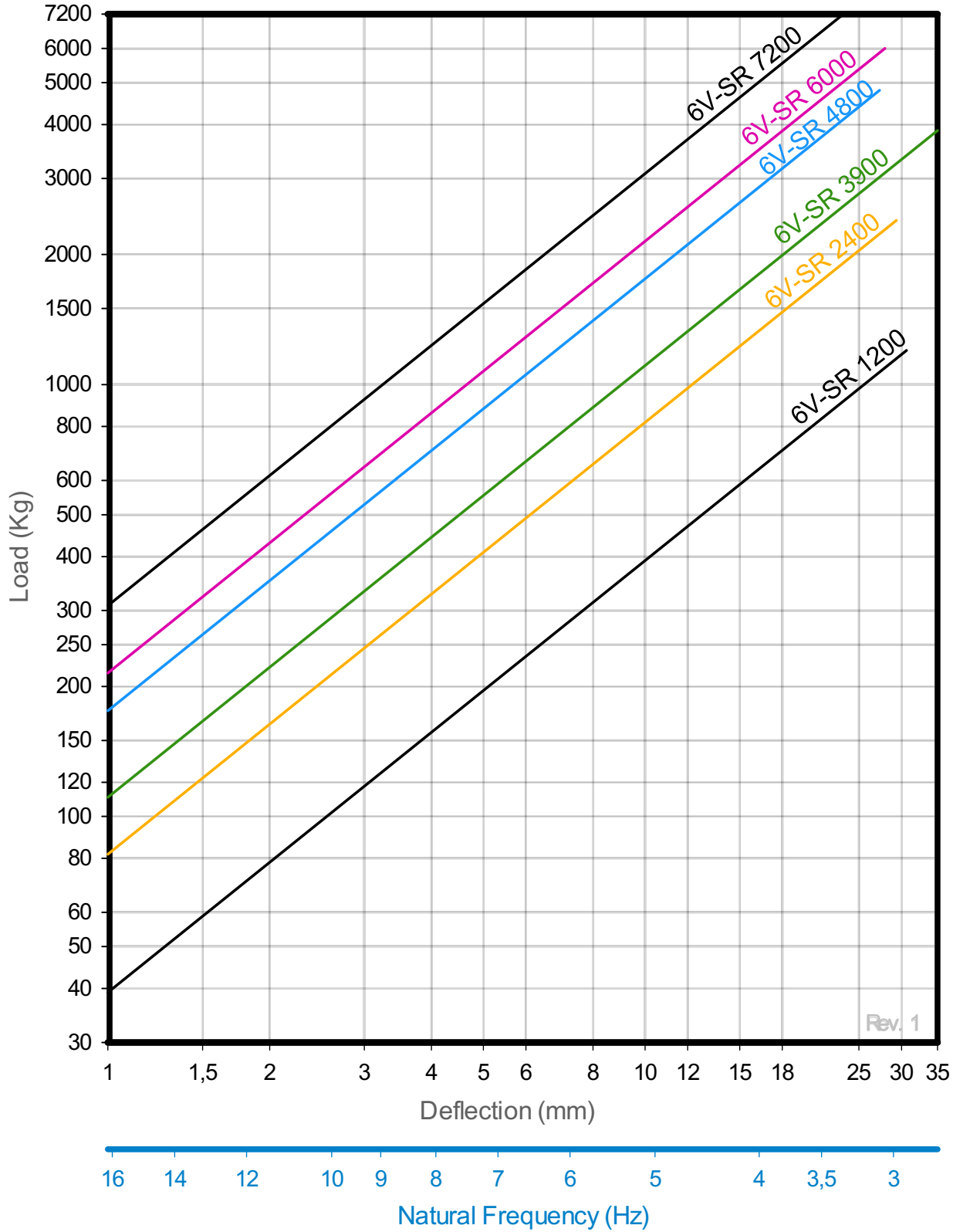


DIMENSIONS

Type	Spring color	Load (kg)	Weight (kg)	K N/mm	Code
6V-SR-1200 ANTI SEISMIC + SYLOMER	BLACK	1200	0	384	21346
6V-SR-2400 ANTI SEISMIC + SYLOMER	BLACK	2400	0	802	21347
6V-SR-3900 ANTI SEISMIC + SYLOMER	BLACK	3900	35,812	1086	20877
6V-SR-4800 ANTI SEISMIC + SYLOMER	BLACK	4800	35,962	1724	20878
6V-SR-6000 ANTI SEISMIC + SYLOMER	BLACK	6000	37,792	2107	20879
6V-SR-7200 ANTI SEISMIC + SYLOMER	BLACK	7200	38,236	3020	20880

Elastical properties

### LOAD DEFLECTION GRAPH AMC MECANOCAUCHO® 6V-SR



Rev. 1