

Rubber Metal anti vibration mounts

# 6V-SH ANTI SEISMIC MOUNTS



- A spring with high elasticity and very low natural frequency
- An incorporated levelling system
- A Sylomer pad under the mount base in order to isolate mid-high frequencies comes standard

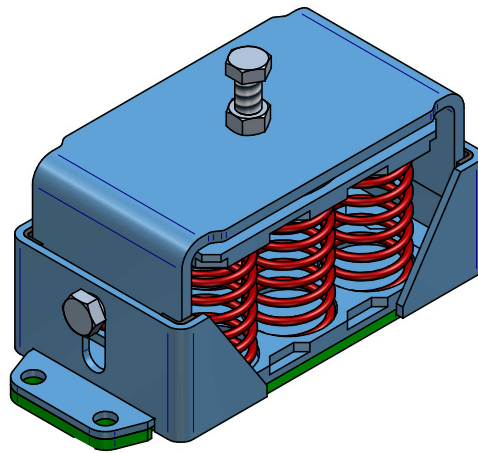
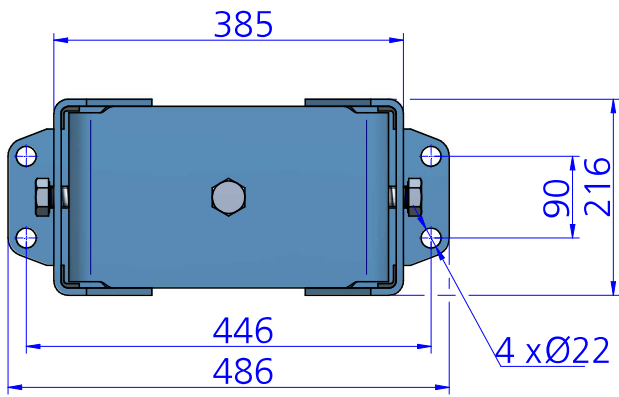
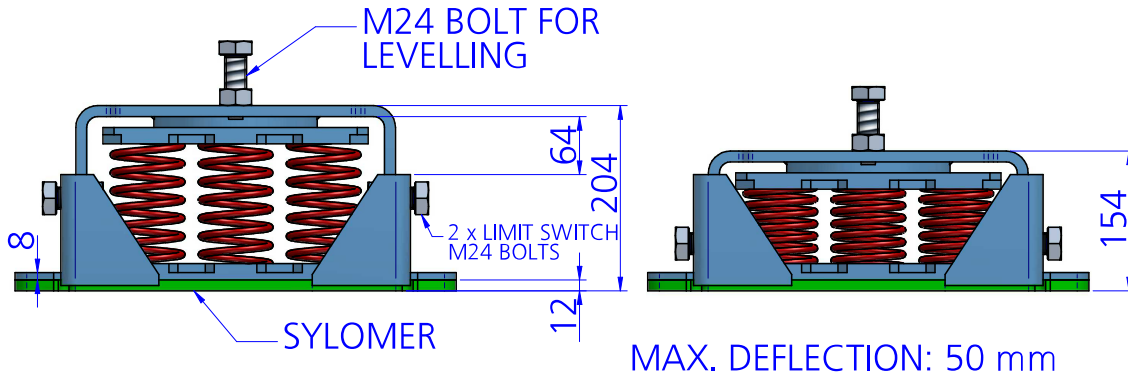
## TECHNICAL CHARACTERISTICS

The mounts are able to reach low natural frequencies from 2 to 5 Hz. The spring combined with sylomer® is able to provide high isolation at low and medium frequencies.

The curves are showing the deflection and natural frequencies according to the load of the spring. Temperature working range from -30 to 70°. Short term higher temperatures are possible.



## DRAWINGS



## DIMENSIONS

Type	Spring color	Load (kg)	Weight (kg)	Code
6V-SH-402 ANTI SEISMIC + SYLOMER	BLUE	402	30.076	20861
6V-SH-570 ANTI SEISMIC + SYLOMER	WHITE	570	30.418	20862
6V-SH-738 ANTI SEISMIC + SYLOMER	BLACK	738	30.562	20863
6V-SH-1038 ANTI SEISMIC + SYLOMER	BEIGE	1038	31.102	20864
6V-SH-1338 ANTI SEISMIC + SYLOMER	RED	1338	33.328	20865
6V-SH-2010 ANTI SEISMIC + SYLOMER	GREY	2010	34.534	20866
6V-SH-2676 ANTI SEISMIC + SYLOMER	GREEN	2676	36.13	20867
6V-SH-4200 ANTI SEISMIC + SYLOMER	BROWN	4200	36,13	20868

Elastical properties

**LOAD DEFLECTION GRAPH**  
**AMC MECANOCAUCHO® 6V-SH**

