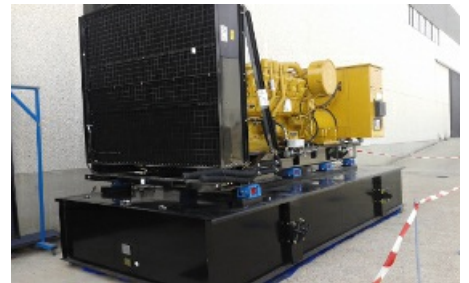


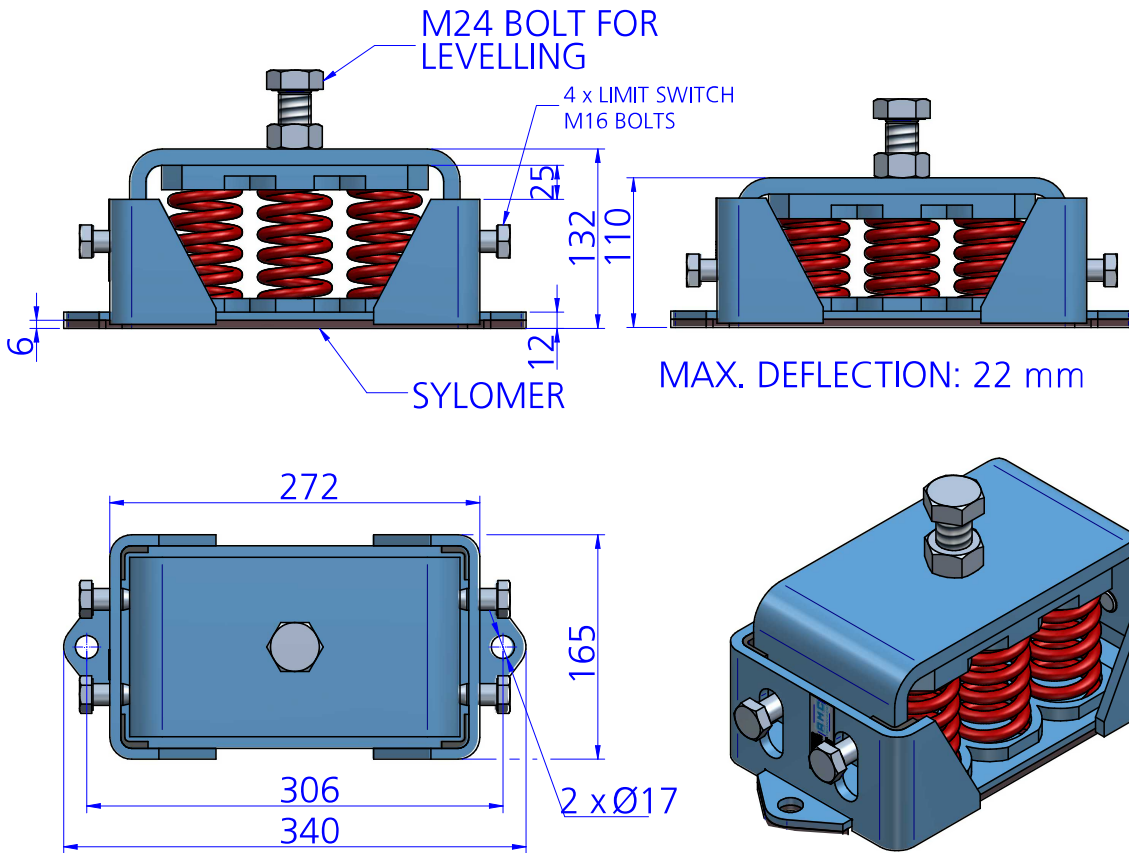
6 AMC ANTI-SEISMIC



These brackets are made of mechanical anchoring systems which ensure your unit applications static and provide high reliability for the isolation of low frequency vibrations. In order to improve their performance in seismic applications the technical department of AMC-MECANOCAUCHO designed a new internal architecture to resist such environments.



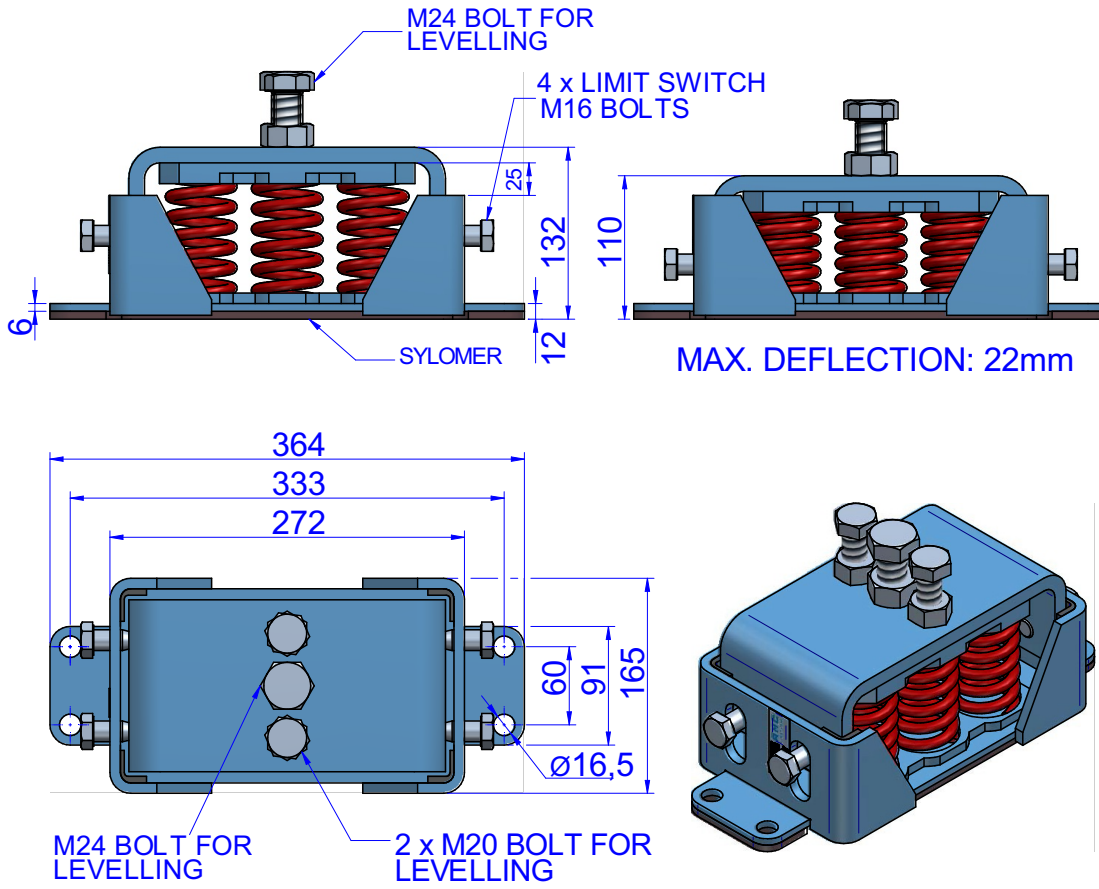
DRAWINGS



DIMENSIONS

Type	Max. Load (kg)	No. Springs	Spring color	Deflection (mm)	K (N/mm)	Weight (kg)	Code
6 AMC ANTI-SEISMIC + SYLOMER	1200	6	YELLOW	22	554	14,829	20750
	1830	6	PURPLE	22	874	14,829	20766
	2430	6	GREEN	22	994	15,279	20767
	3240	6	GREY	22	1528	15,957	20768
	3672	6	WHITE	22	1702	15	20769
	4818	6	RED	22	2351	16,473	20770

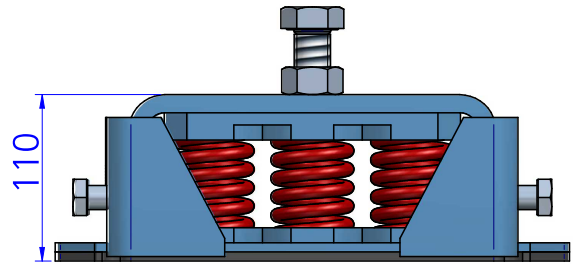
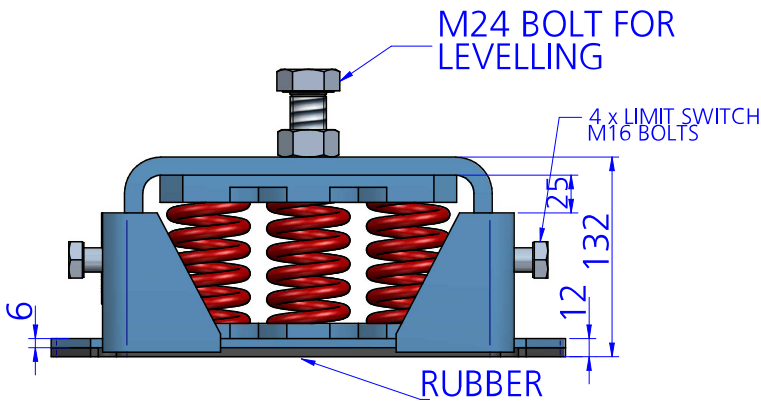
DRAWINGS



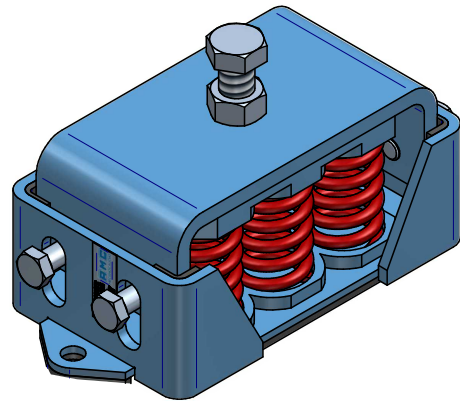
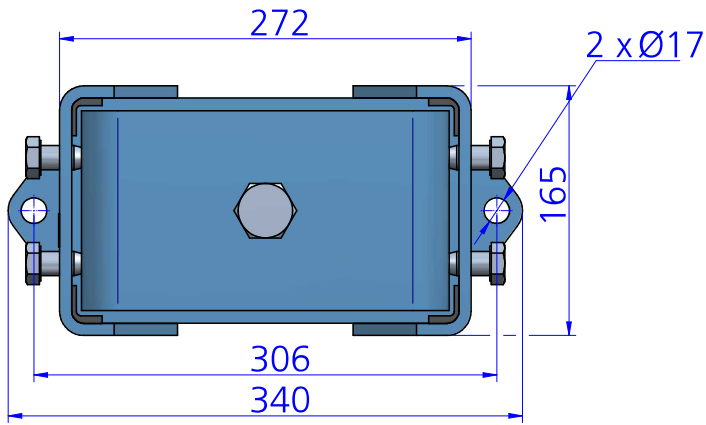
DIMENSIONS

Type	Max.Load (kg)	Spring color	No. Springs	Deflection (mm)	K (N/mm)	Weight (kg)	Code
6 AMC ANTI-SEISMIC + SYLOMER 4 Holes	1200	YELLOW	6	22	554	0	21536
	1830	PURPLE	6	22	874	0	21537
	2430	GREEN	6	22	994	0	21538
	3240	GREY	6	22	1528	0	21539
	3672	WHITE	6	22	1702	0	21540
	4818	RED	6	22	2351	0	21541

DRAWINGS



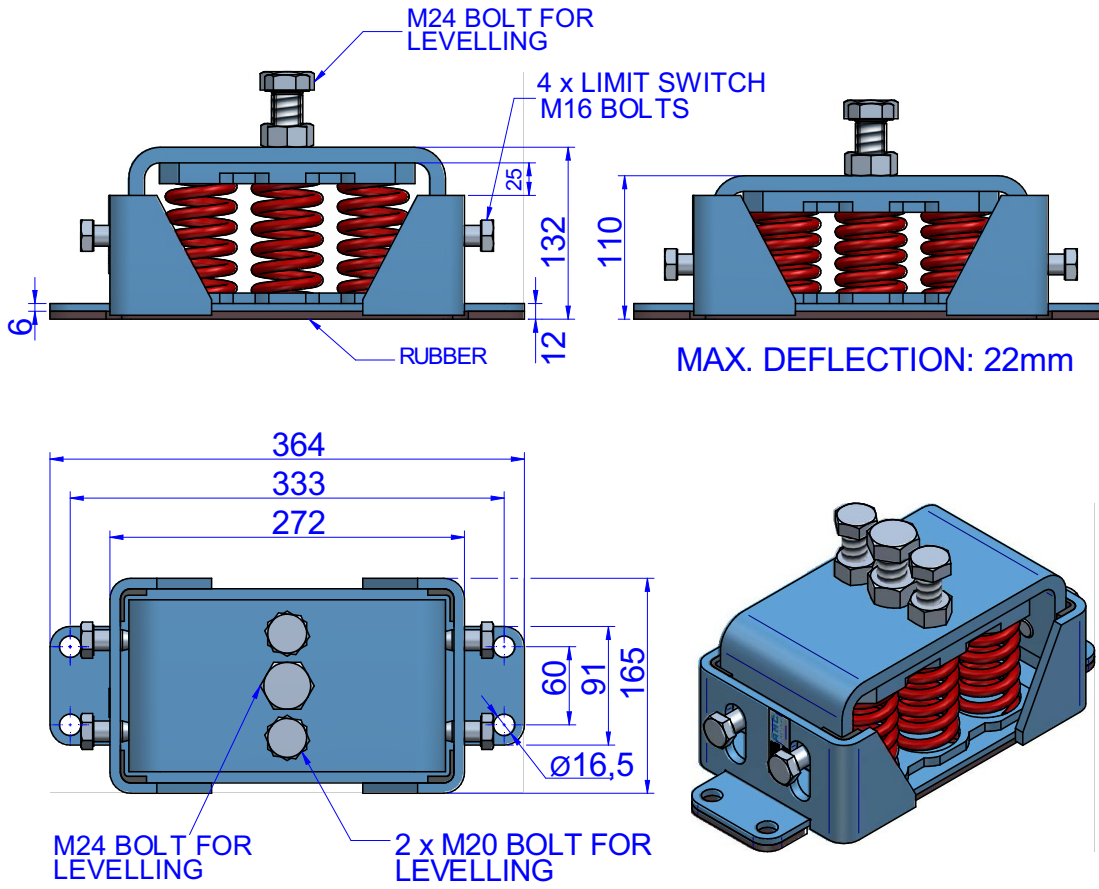
MAX. DEFLECTION: 22 mm



DIMENSIONS

Type	Max. Load (kg)	No. Springs	Spring color	Deflection (mm)	K (N/mm)	Weight (kg)	Code
6 AMC ANTI-SEISMIC	1200	6	YELLOW	22	554	15,45	20749
	1830	6	PURPLE	22	874	15,45	20761
	2430	6	GREEN	22	994	15,45	20762
	3240	6	GREY	22	1528	15,45	20763
	3672	6	WHITE	22	1702	15,521	20764
	4818	6	RED	22	2351	16,553	20765

DRAWINGS



DIMENSIONS

Type	Max.Load (kg)	Spring color	No. Springs	Deflection (mm)	K (N/mm)	Weight (kg)	Code
6 AMC ANTI-SEISMIC 4 Holes	1200	YELLOW	6	22	554	0	21542
	1830	PURPLE	6	22	874	0	21543
	2430	GREEN	6	22	994	0	21544
	3240	GREY	6	22	1528	0	21545
	3672	WHITE	6	22	1702	0	21546
	4818	RED	6	22	2351	0	21547

Elastical properties

LOAD DEFLECTION GRAPH

AMC MECANOCAUCHO® 6 AMC ANTISEISMIC

