

SUPPORT ANTI-SEISMIC PRELOADABLE 4V-SX



V-SX mounts are capable of reaching very low natural frequencies, from 2 to 3Hz. In addition, this mount incorporates a Sylomer® mat, also providing good isolation at mid-high frequencies. Thanks to this spring-Sylomer® combination, this mount can provide great isolation across the entire frequency range.

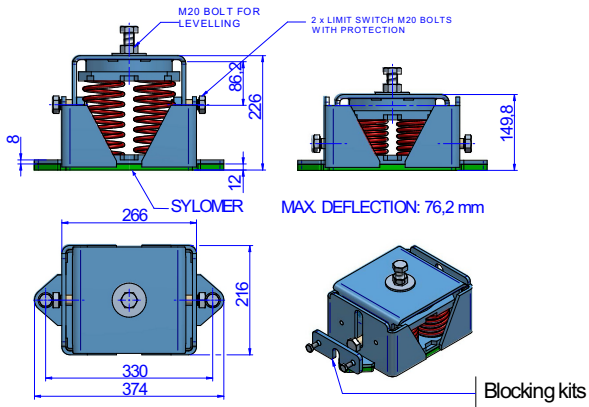
TECHNICAL CHARACTERISTICS

This range of supports consists of:

- A spring with high elasticity and very low natural frequency.
- An incorporated levelling system.
- An incorporated preload system.
- A Sylomer® pad under the mount base in order to isolate mid-high frequencies.



DRAWINGS



DIMENSIONS

Type	Code
4V-SX 407 PRELOADABLE ANTI-SEISMIC + SYLOMER®	20802
4V-SX 578 PRELOADABLE ANTI-SEISMIC + SYLOMER®	20803
4V-SX 748 PRELOADABLE ANTI-SEISMIC + SYLOMER®	20804
4V-SX 1052 PRELOADABLE ANTI-SEISMIC + SYLOMER®	20805
4V-SX 1356 PRELOADABLE ANTI-SEISMIC + SYLOMER®	20806
4V-SX 2037 PRELOADABLE ANTI-SEISMIC + SYLOMER®	20800
4V-SX 2712 PRELOADABLE ANTI-SEISMIC + SYLOMER®	20807
4V-SX 4256 PRELOADABLE ANTI-SEISMIC + SYLOMER®	20808

Elastical properties

LOAD DEFLECTION GRAPH AMC MECANOCAUCHO® 4V -SX

