

4V-SR ANTI SEISMIC MOUNTS



- A spring with high elasticity and very low natural frequency
- An incorporated levelling system
- A Sylomer pad under the mount base in order to isolate mid-high frequencies comes standard

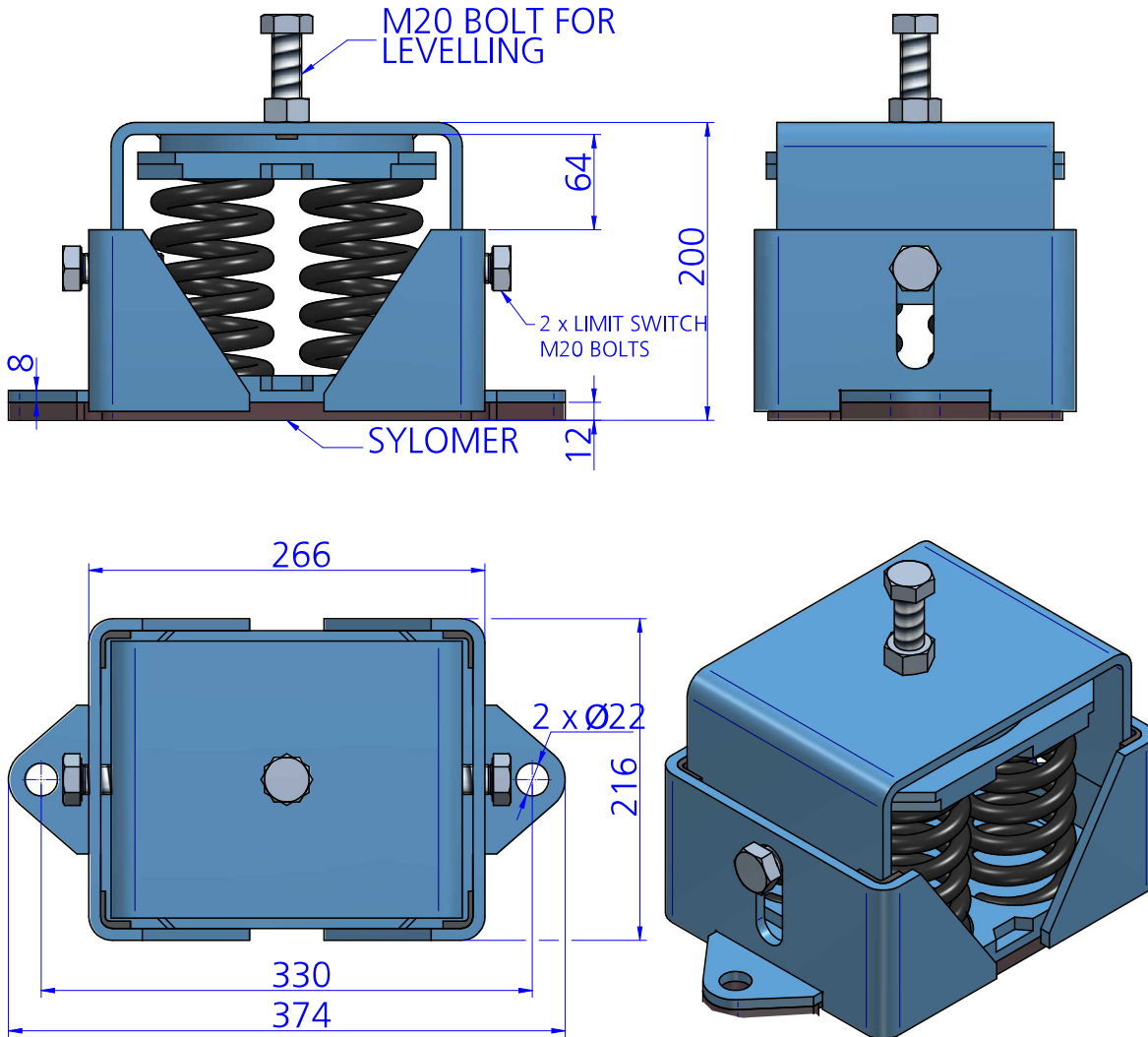
TECHNICAL CHARACTERISTICS

The mounts are able to reach low natural frequencies from 3 to 5 Hz. The spring combined with sylomer® is able to provide high isolation at low and medium frequencies.

The curves are showing the deflection and natural frequencies according to the load of the spring. Temperature working range from -30 to 70°. Short term higher temperatures are possible.



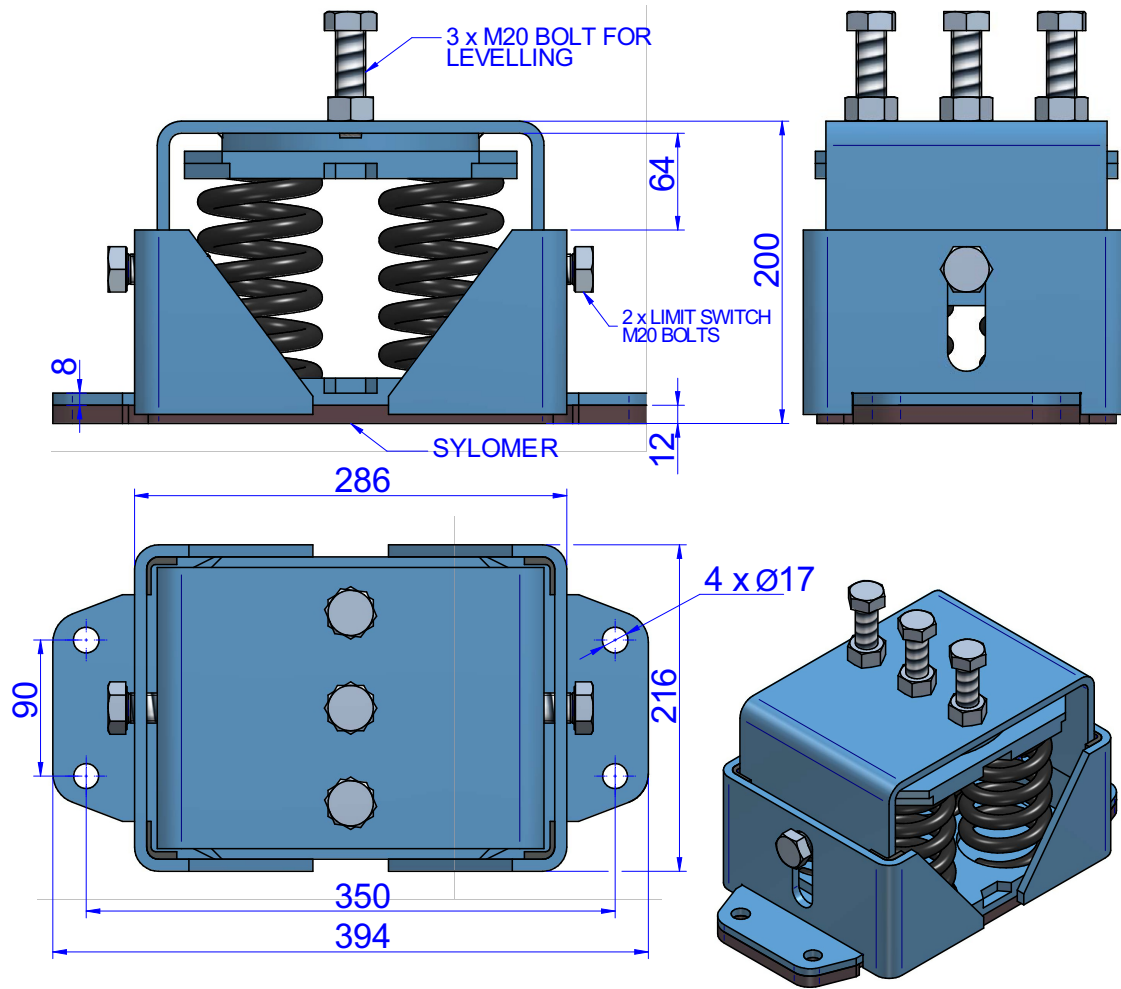
DRAWINGS



DIMENSIONS

Type	Max. Load (kg)	Spring color	K (N/mm)	Weight (kg)	Code
4V-SR ANTI SEISMIC + SYLOMER	800	BLACK	256	23,4	21344
	1600	BLACK	535	24,5	21345
	2600	BLACK	724	23,733	21141
	3200	BLACK	1150	23,833	21142
	4000	BLACK	1404	27,66	21143
	4800	BLACK	2013	25,349	21144

DRAWINGS

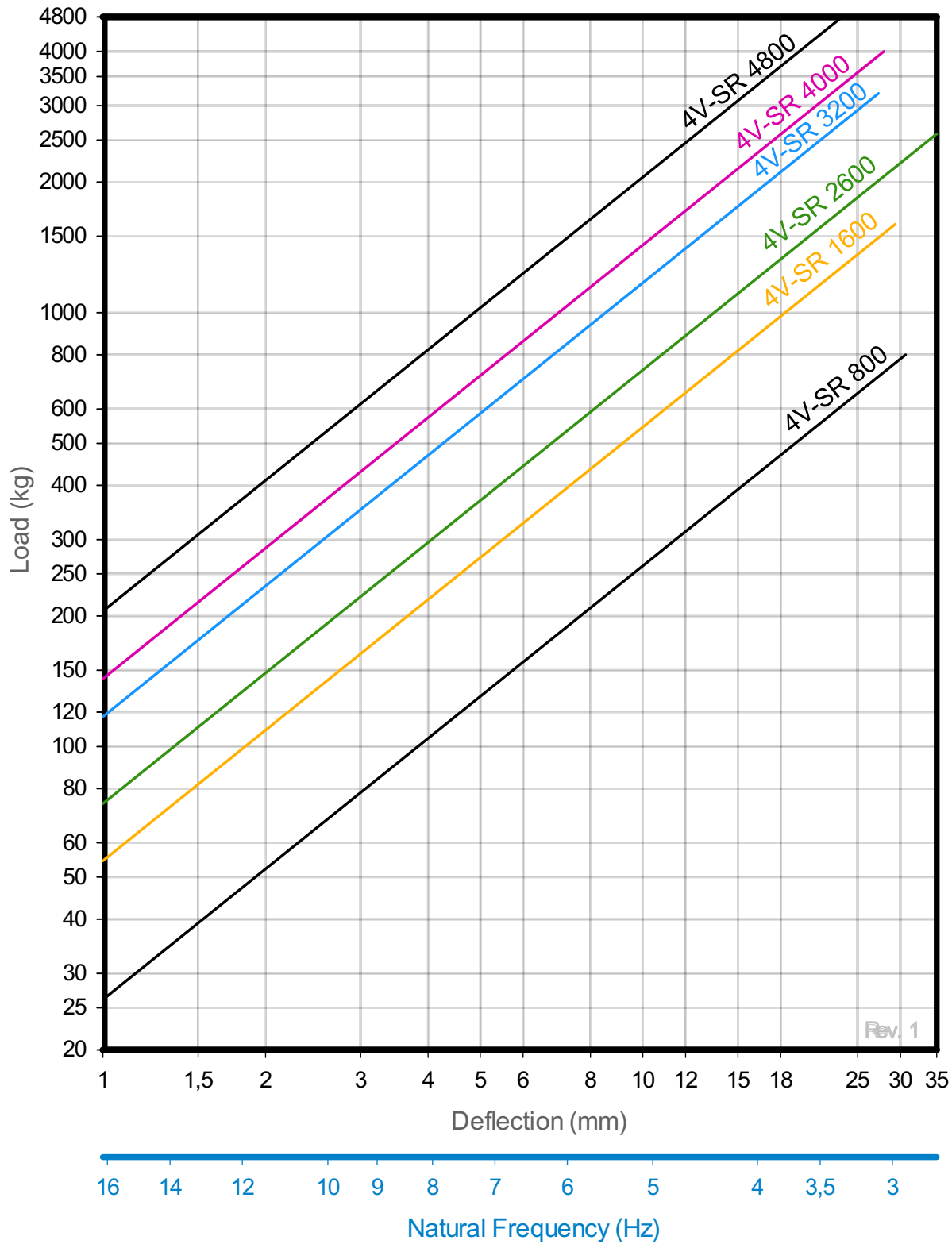


DIMENSIONS

Type	Max. Load (kg)	Spring color	K (N/mm)	Weight (kg)	Code
4V-SR ANTI SEISMIC + SYLOMER 4 Holes	800	BLACK	256	0	21562
	1600	BLACK	535	0	21563
	2600	BLACK	724	0	21564
	3200	BLACK	1150	0	21565
	4000	BLACK	1404	0	21566
	4800	BLACK	2013	0	21567

Elastical properties

LOAD DEFLECTION GRAPH AMC MECANOCAUCHO® 4V-SR



Rev. 1