

4V-SH ANTI SEISMIC MOUNTS



- A spring with high elasticity and very low natural frequency
- An incorporated levelling system
- A Sylomer pad under the mount base in order to isolate mid-high frequencies comes standard

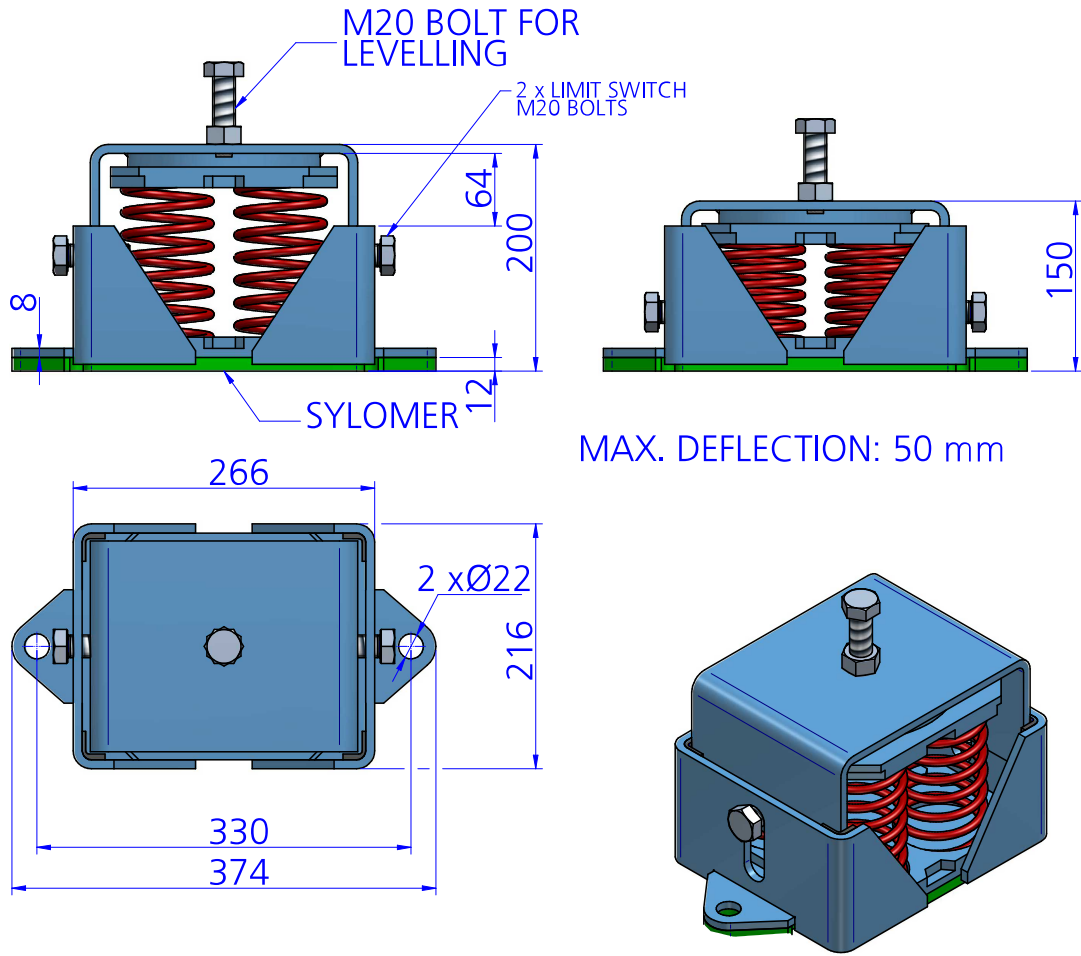
TECHNICAL CHARACTERISTICS

The mounts are able to reach low natural frequencies from 2 to 5 Hz. The spring combined with sylomer® is able to provide high isolation at low and medium frequencies.

The curves are showing the deflection and natural frequencies according to the load of the spring. Temperature working range from -30 to 70°. Short term higher temperatures are possible.



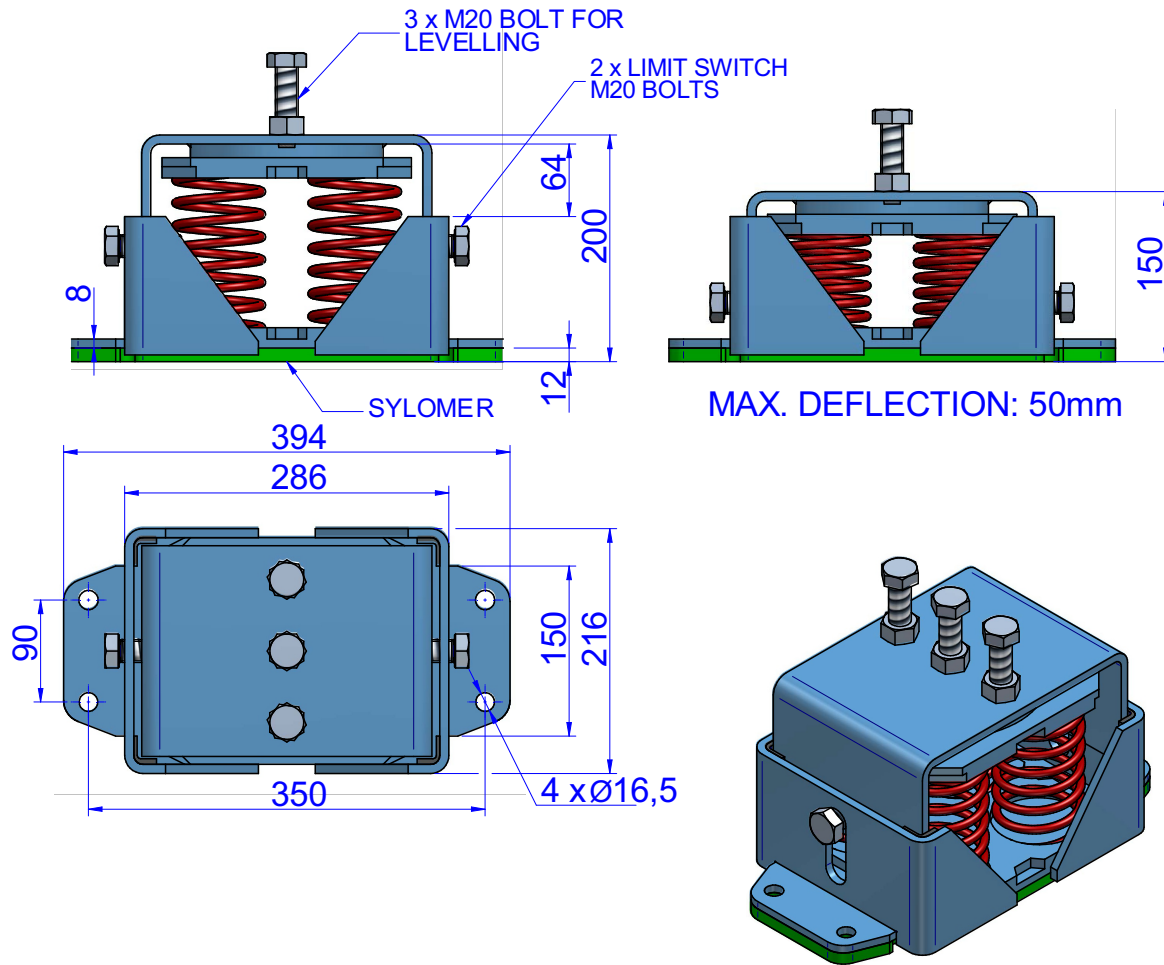
DRAWINGS



DIMENSIONS

Type	Max. Load (kg)	Spring color	K (N/mm)	Weight (kg)	Code
4V-SH ANTI SEISMIC + SYLOMER	268	BLUE	54	19,909	20752
	380	WHITE	74	20,137	20753
	492	BLACK	100	20,233	20754
	692	BEIGE	138	20,593	20755
	892	RED	172	22,077	20756
	1340	GREY	274	22,881	20757
	1784	GREEN	351	23,945	20758
	2800	BROWN	601	29	20759

DRAWINGS

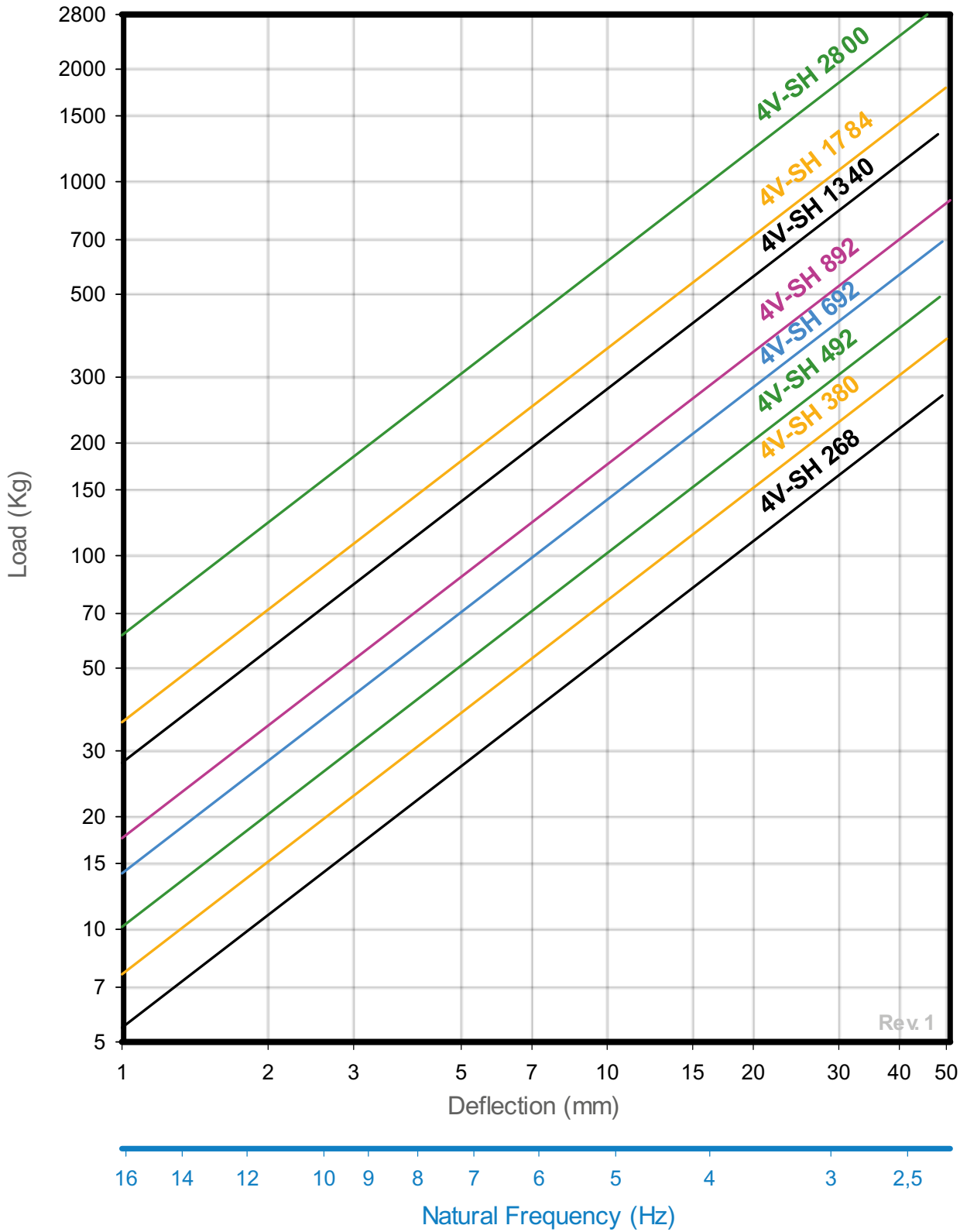


DIMENSIONS

Type	Max. Load (kg)	Spring color	K (N/mm)	Weight (kg)	Code
4V-SH ANTI SEISMIC + SYLOMER 4 Holes	268	BLUE	54	0	21584
	380	WHITE	74	0	21585
	492	BLACK	100	0	21586
	692	BEIGE	138	0	21587
	892	RED	172	0	21588
	1340	GREY	274	0	21589
	1784	GREEN	351	0	21590
	2800	BROWN	601	0	21591

Elastical properties

LOAD DEFLECTION GRAPH
AMC MECANOCAUCHO® 4V-SH



Rev. 1