

Anti vibration  
mounts

**ASCALEX**  
3755 Place Java, Local 160  
Brossard, Qc.  
J4Y 0E4

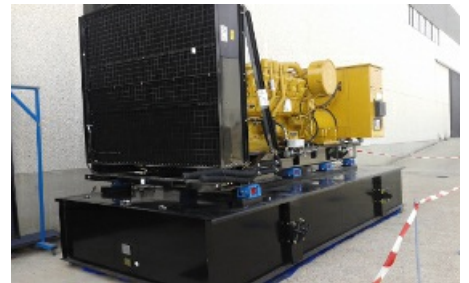
Contrôle  
Bruits  
Vibrations  
Vibrations  
Noises  
Control

**AMC**  
MECANOCAUCHO  
NOISE AND  
VIBRATION  
SOLUTIONS

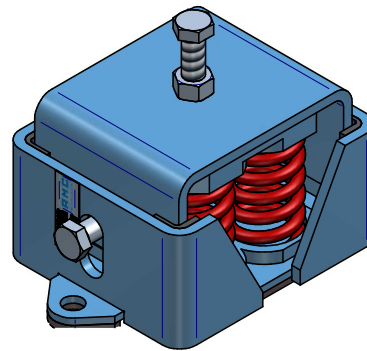
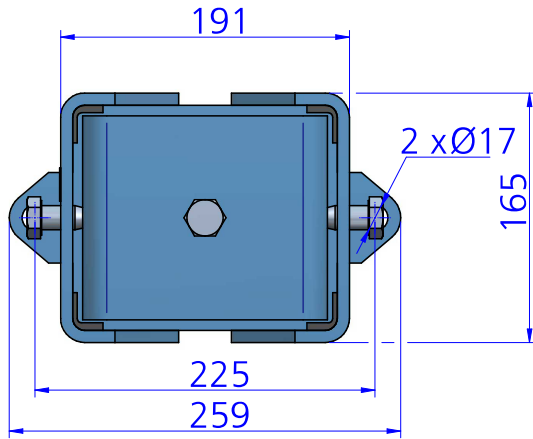
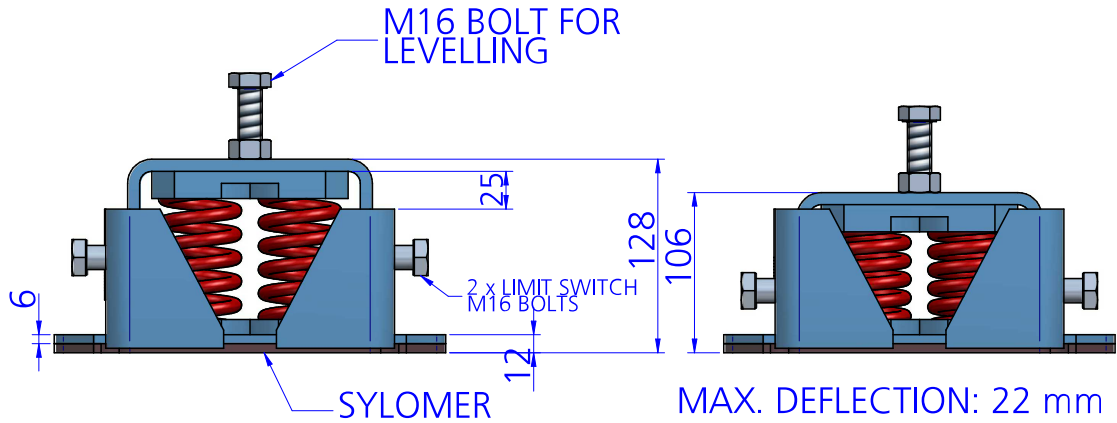
## 4 AMC ANTI-SEISMIC



These brackets are made of mechanical anchoring systems which ensure your unit applications static and provide high reliability for the isolation of low frequency vibrations. In order to improve their performance in seismic applications the technical department of AMC-MECANOCAUCHO designed a new internal architecture to resist such environments.



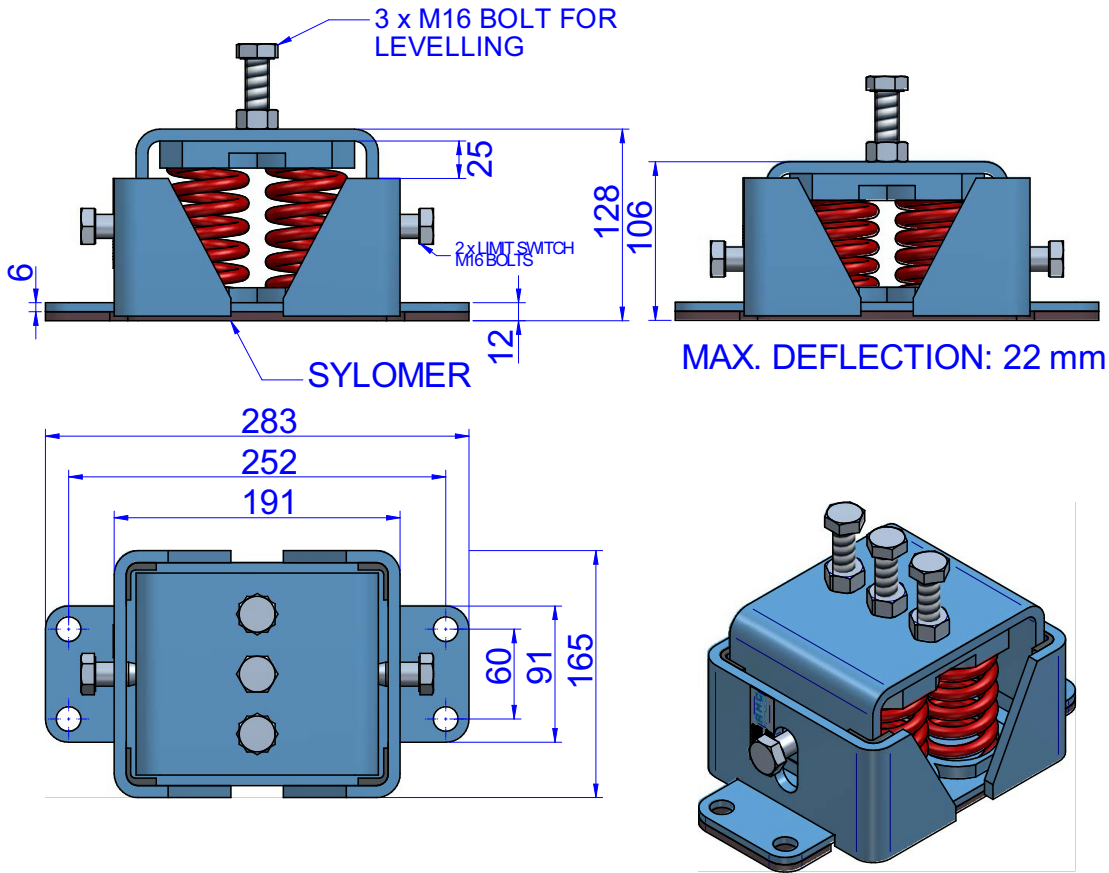
DRAWINGS



DIMENSIONS

| Type                         | Max.Load (kg) | No. Springs | Spring color | Deflection (mm) | K (N/mm) | Weight (kg) | Code  |
|------------------------------|---------------|-------------|--------------|-----------------|----------|-------------|-------|
| 4 AMC ANTI-SEISMIC + SYLOMER | 800           | 4           | YELLOW       | 22              | 369      | 10,54       | 20680 |
|                              | 1220          | 4           | PURPLE       | 22              | 582      | 10,54       | 20686 |
|                              | 1620          | 4           | GREEN        | 22              | 662      | 10,84       | 20687 |
|                              | 2160          | 4           | GREY         | 22              | 1018     | 10,689      | 20688 |
|                              | 2448          | 4           | WHITE        | 22              | 1134     | 10,689      | 20689 |
|                              | 3212          | 4           | RED          | 22              | 1567     | 11,636      | 20690 |

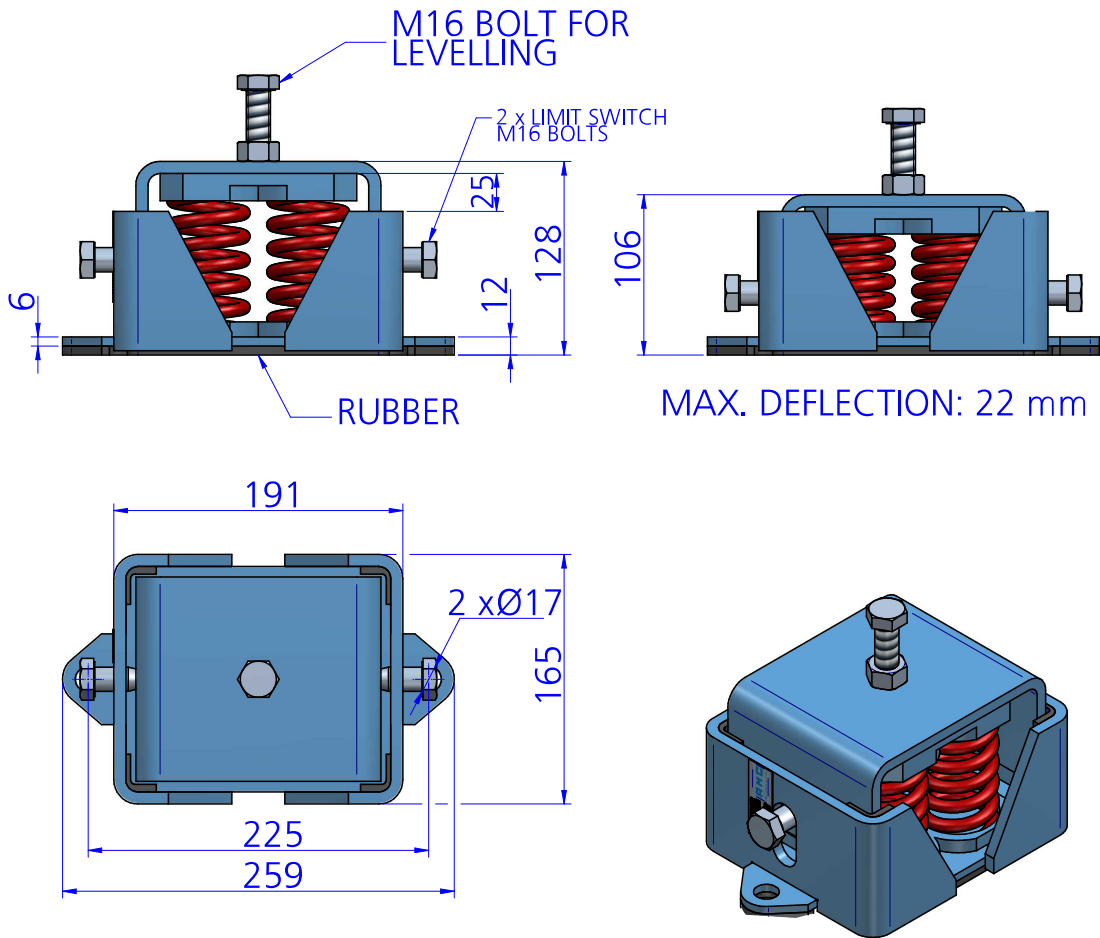
DRAWINGS



DIMENSIONS

| Type                                 | Max.Load (kg) | Spring color | No. Springs | Deflection (mm) | K (N/mm) | Weight (kg) | Code  |
|--------------------------------------|---------------|--------------|-------------|-----------------|----------|-------------|-------|
| 4 AMC ANTI-SEISMIC + SYLOMER 4 Holes | 800           | YELLOW       | 4           | 22              | 369      | 0           | 21524 |
|                                      | 1220          | PURPLE       | 4           | 22              | 582      | 0           | 21525 |
|                                      | 1620          | GREEN        | 4           | 22              | 662      | 0           | 21526 |
|                                      | 2160          | GREY         | 4           | 22              | 1018     | 0           | 21527 |
|                                      | 2448          | WHITE        | 4           | 22              | 1134     | 0           | 21528 |
|                                      | 3212          | RED          | 4           | 22              | 1567     | 0           | 21529 |

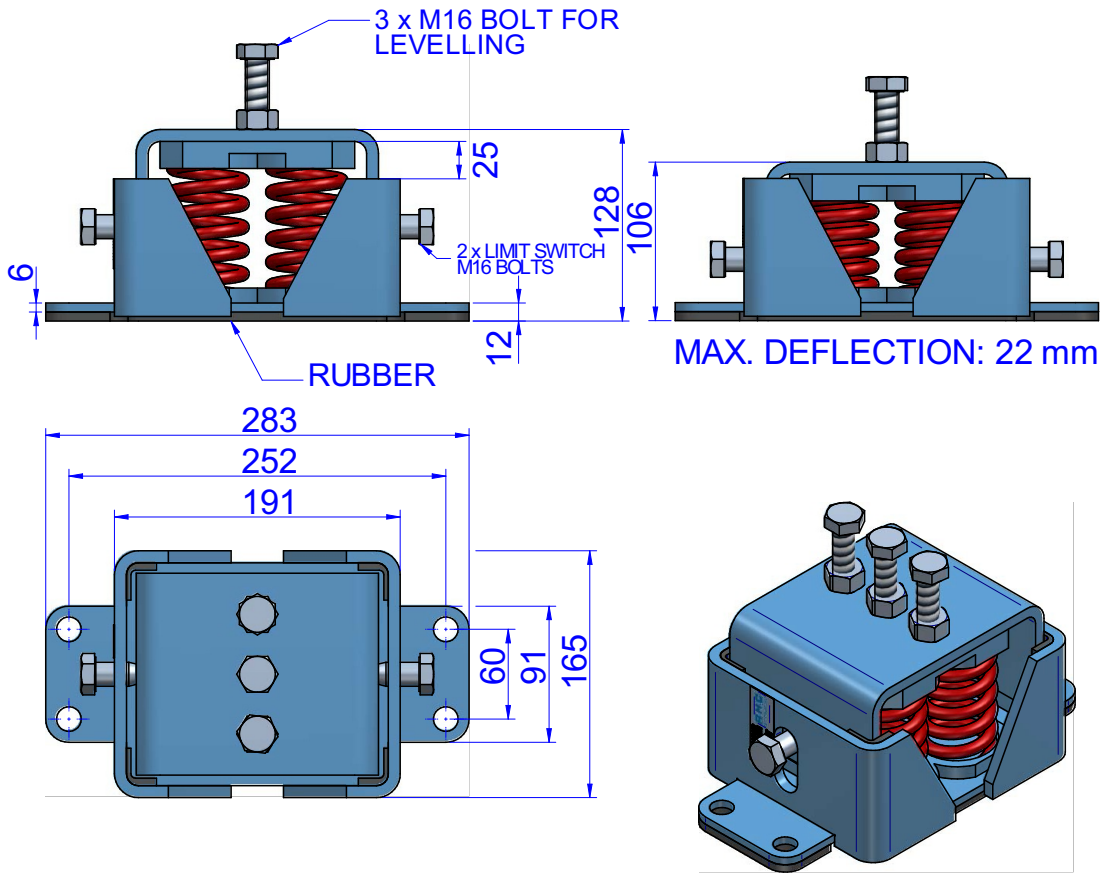
DRAWINGS



DIMENSIONS

| Type               | Max.Load (kg) | No. Springs | Spring color | Deflection (mm) | K (N/mm) | Weight (kg) | Code  |
|--------------------|---------------|-------------|--------------|-----------------|----------|-------------|-------|
| 4 AMC ANTI-SEISMIC | 800           | 4           | YELLOW       | 22              | 369      | 10,75       | 20679 |
|                    | 1220          | 4           | PURPLE       | 22              | 582      | 10,75       | 20700 |
|                    | 1620          | 4           | GREEN        | 22              | 662      | 10,894      | 20696 |
|                    | 2160          | 4           | GREY         | 22              | 1018     | 10,75       | 20697 |
|                    | 2448          | 4           | WHITE        | 22              | 1134     | 10,965      | 20698 |
|                    | 3212          | 4           | RED          | 22              | 1567     | 11,69       | 20699 |

DRAWINGS



DIMENSIONS

| Type                       | Max.Load (kg) | Spring color | No. Springs | Deflection (mm) | K (N/mm) | Weight (kg) | Code  |
|----------------------------|---------------|--------------|-------------|-----------------|----------|-------------|-------|
| 4 AMC ANTI-SEISMIC 4 Holes | 800           | YELLOW       | 4           | 22              | 369      | 0           | 21530 |
|                            | 1220          | PURPLE       | 4           | 22              | 582      | 0           | 21531 |
|                            | 1620          | GREEN        | 4           | 22              | 662      | 0           | 21532 |
|                            | 2160          | GREY         | 4           | 22              | 1018     | 0           | 21533 |
|                            | 2448          | WHITE        | 4           | 22              | 1134     | 0           | 21534 |
|                            | 3212          | RED          | 4           | 22              | 1567     | 0           | 21535 |

Elastical properties

# LOAD DEFLECTION GRAPH AMC MECANOCAUCHO® 4 AMC ANTISEISMIC

