

2V-SR ANTI SEISMIC MOUNTS



- A spring with high elasticity and very low natural frequency
- An incorporated levelling system
- A Sylomer pad under the mount base in order to isolate mid-high frequencies comes standard

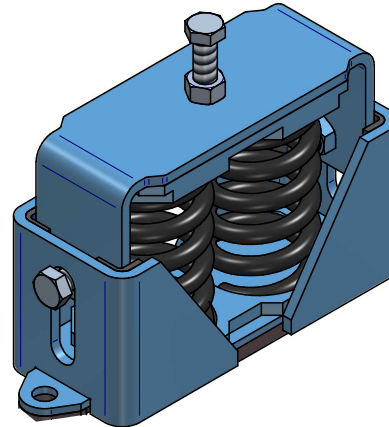
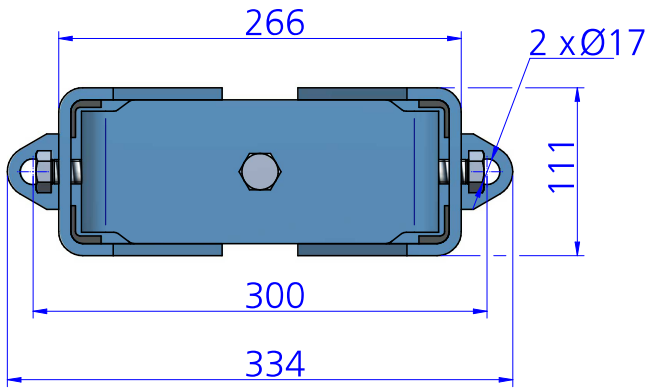
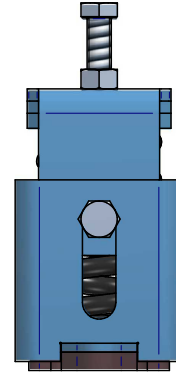
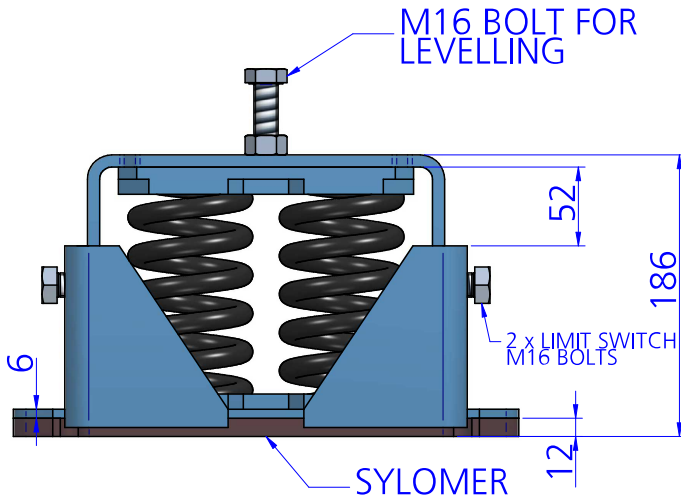
TECHNICAL CHARACTERISTICS

The mounts are able to reach low natural frequencies from 3 to 5 Hz. The spring combined with sylomer® is able to provide high isolation at low and medium frequencies.

The curves are showing the deflection and natural frequencies according to the load of the spring. Temperature working range from -30 to 70°. Short term higher temperatures are possible.



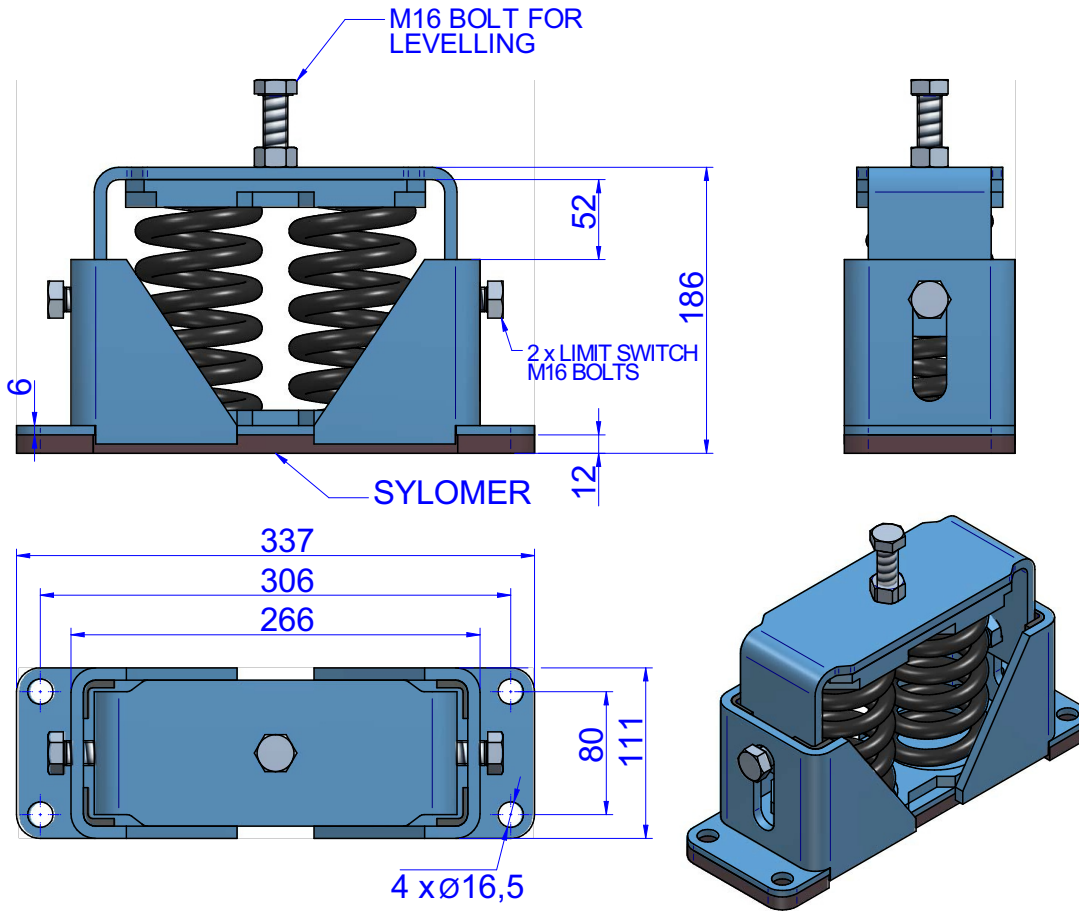
DRAWINGS



DIMENSIONS

Type	Max. Load (kg)	Spring color	K (N/mm)	Weight (kg)	Code
2V-SR ANTI SEISMIC + SYLOMER	400	BLACK	128	0	21342
	800	BLACK	267	10,85	21343
	1300	BLACK	362	12,335	20506
	1600	BLACK	575	12,385	20507
	2000	BLACK	702	12,995	20508
	2400	BLACK	1007	13,143	20509

DRAWINGS



DIMENSIONS

Type	Max. Load (kg)	Spring color	K (N/mm)	Weight (kg)	Code
2V-SR ANTI SEISMIC + SYLOMER 4 Holes	400	BLACK	128	0	21556
	800	BLACK	267	0	21557
	1300	BLACK	362	0	21558
	1600	BLACK	575	0	21559
	2000	BLACK	702	0	21560
	2400	BLACK	1007	0	21561

Elastical properties

LOAD DEFLECTION GRAPHS AMC MECANOCAUCHO® 2V-SR

