

2V-SH ANTI SEISMIC MOUNTS



- A spring with high elasticity and very low natural frequency
- An incorporated levelling system
- A Sylomer pad under the mount base in order to isolate mid-high frequencies comes standard

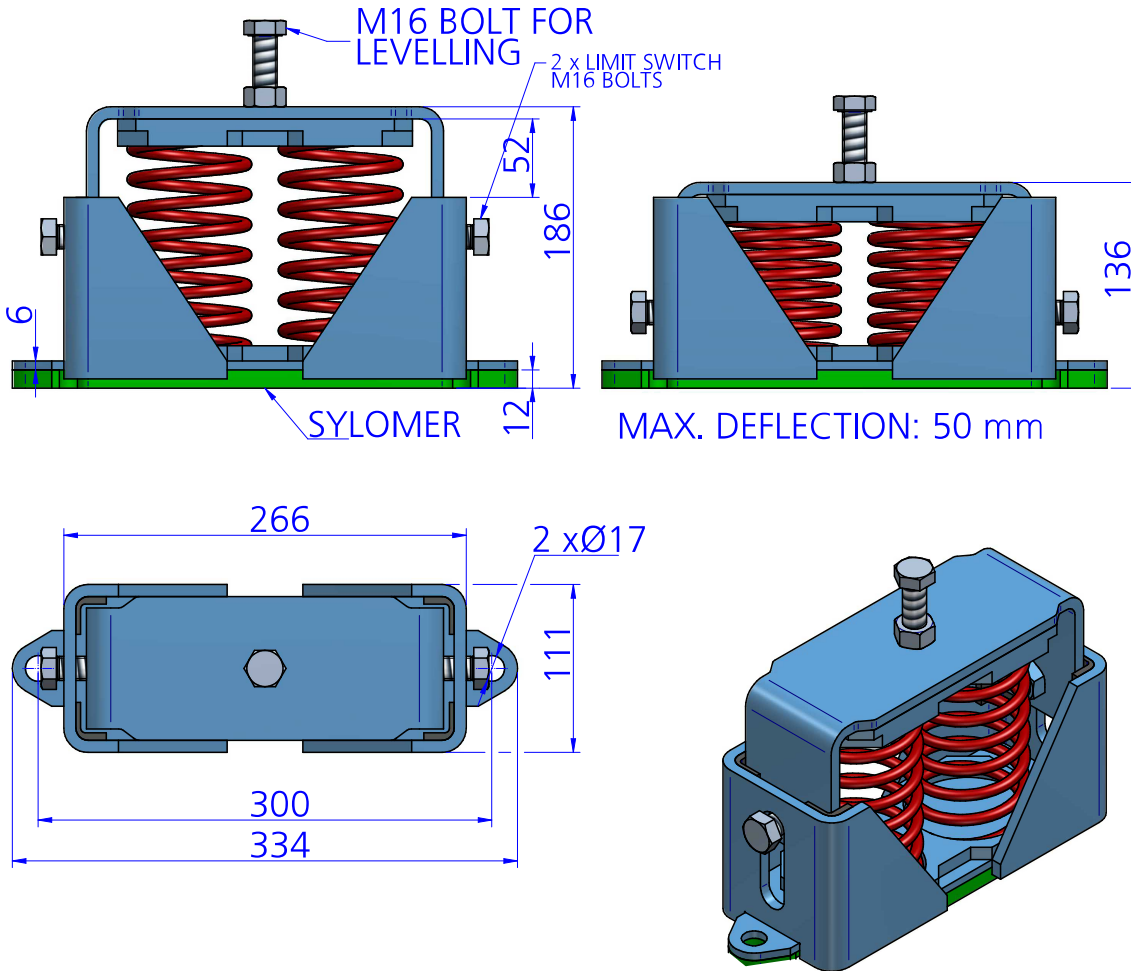
TECHNICAL CHARACTERISTICS

The mounts are able to reach low natural frequencies from 2 to 5 Hz. The spring combined with sylomer® is able to provide high isolation at low and medium frequencies.

The curves are showing the deflection and natural frequencies according to the load of the spring. Temperature working range from -30 to 70°. Short term higher temperatures are possible.



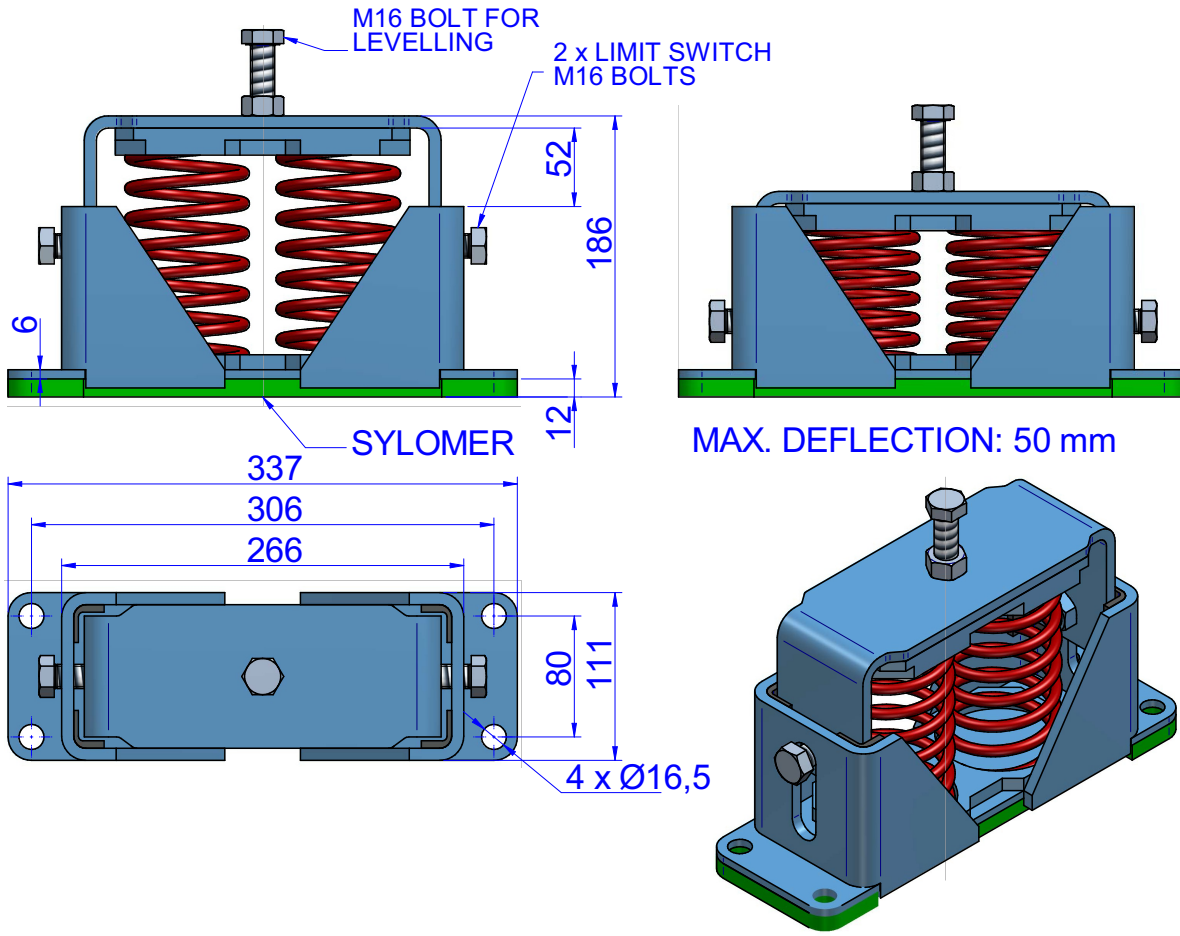
DRAWINGS



DIMENSIONS

Type	Max. Load (kg)	Spring color	K (N/mm)	Weight (kg)	Code
2V-SH ANTI SEISMIC + SYLOMER	134	BLUE	27	10,423	20587
	190	WHITE	37	10,537	20588
	246	BLACK	50	10,648	20589
	346	BEIGE	69	10,648	20590
	446	RED	86	11,507	20591
	670	GREY	137	11,909	20592
	892	GREEN	176	12,441	20593
	1400	BROWN	301	12,441	20594

DRAWINGS

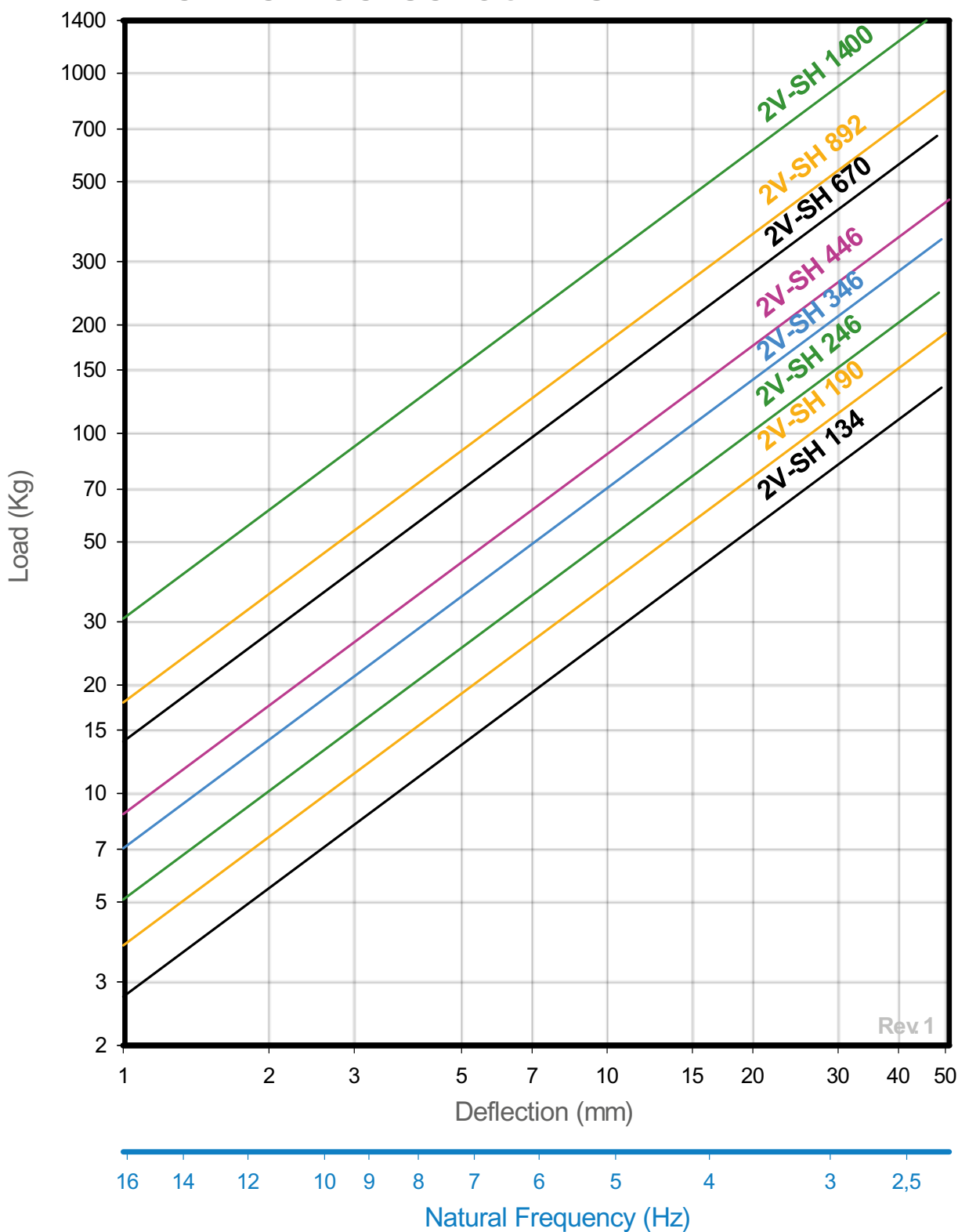


DIMENSIONS

Type	Max. Load (kg)	Spring color	K (N/mm)	Weight (kg)	Code
2V-SH ANTI SEISMIC + SYLOMER 4 Holes	134	BLUE	27	0	21576
	190	WHITE	37	0	21577
	246	BLACK	50	0	21578
	346	BEIGE	69	0	21579
	446	RED	86	0	21580
	670	GREY	137	0	21581
	892	GREEN	176	0	21582
	1400	BROWN	301	0	21583

Elastical properties

LOAD DEFLECTION GRAPH AMC MECANOCAUCHO® 2V-SH



Rev 1