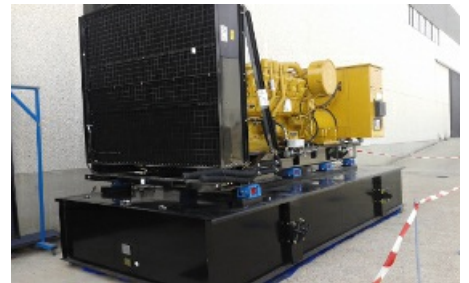


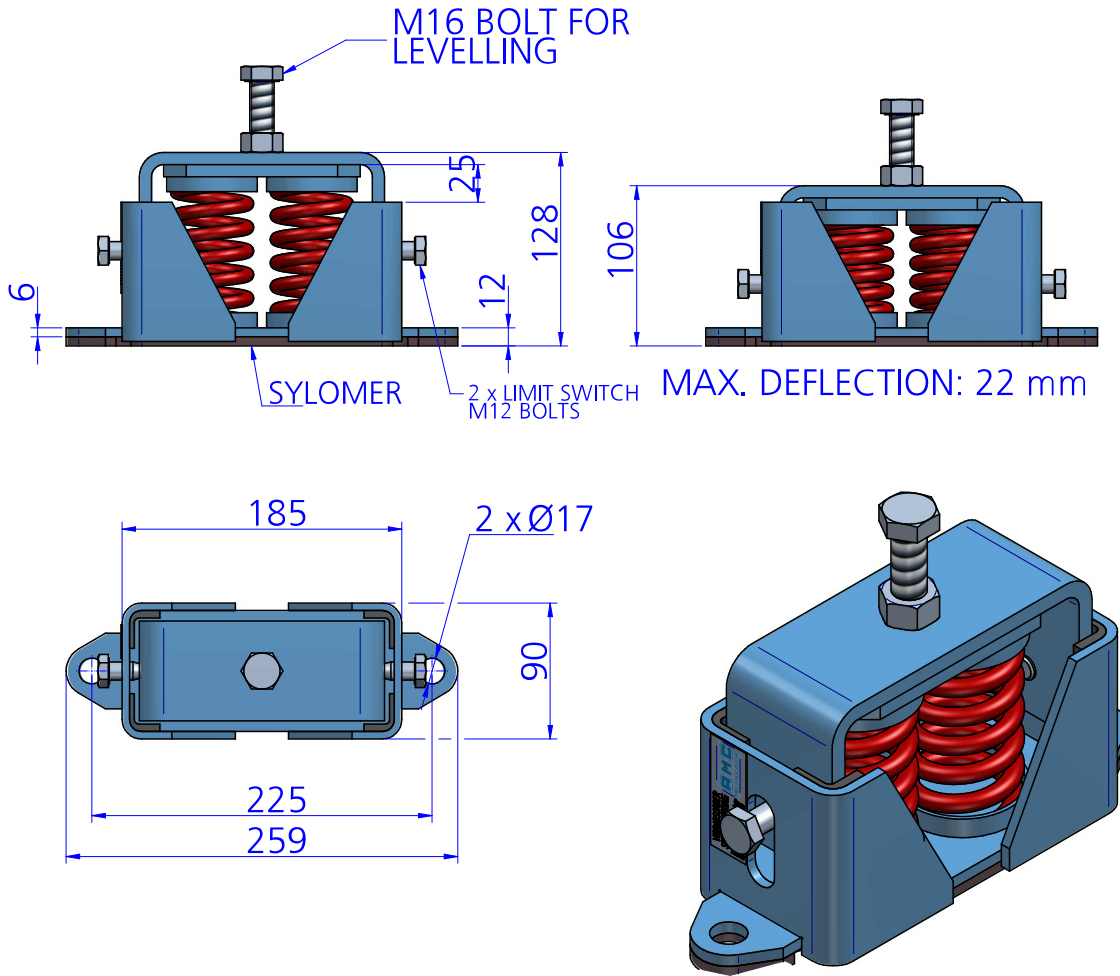
2 AMC ANTI-SEISMIC



These brackets are made of mechanical anchoring systems which ensure your unit applications static and provide high reliability for the isolation of low frequency vibrations. In order to improve their performance in seismic applications the technical department of AMC-MECANOCAUCHO designed a new internal architecture to resist such environments.



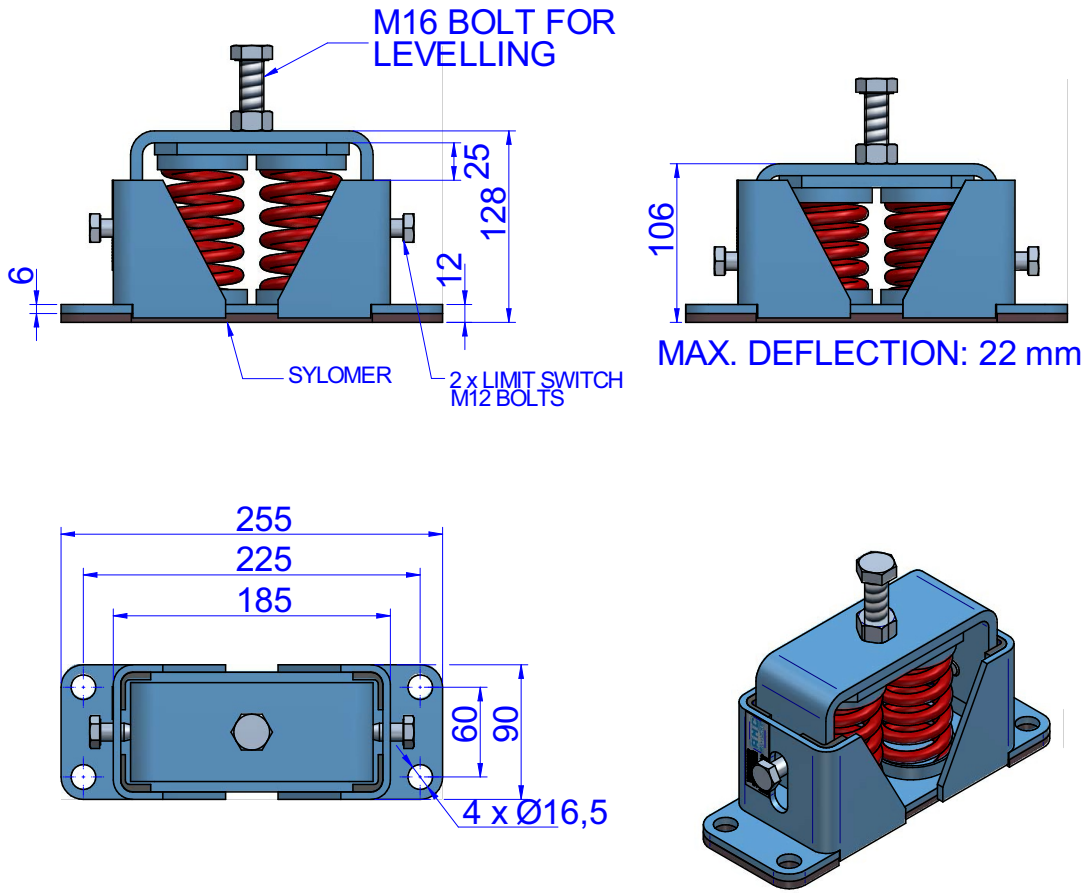
DRAWINGS



DIMENSIONS

Type	Max Load (kg)	No. Springs	Spring color	Deflection (mm)	K (N/mm)	Weight (kg)	Code
2 AMC ANTI-SEISMIC + SYLOMER	400	2	YELLOW	22	185	4,869	20528
	610	2	PURPLE	22	291	4,869	20480
	810	2	GREEN	22	331	4,97	20487
	1080	2	GREY	22	509	5,192	20488
	1224	2	WHITE	22	567	5,06	20489
	1606	2	RED	22	784	5,386	20490

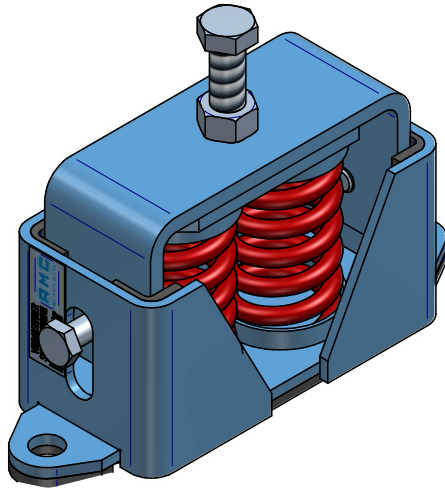
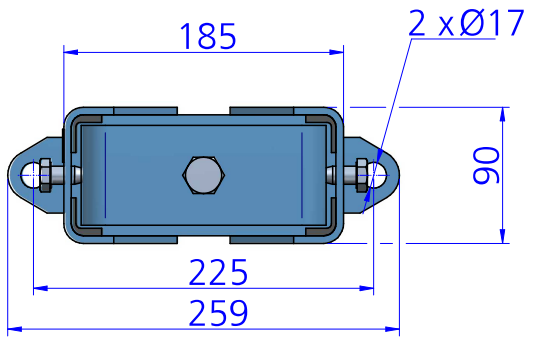
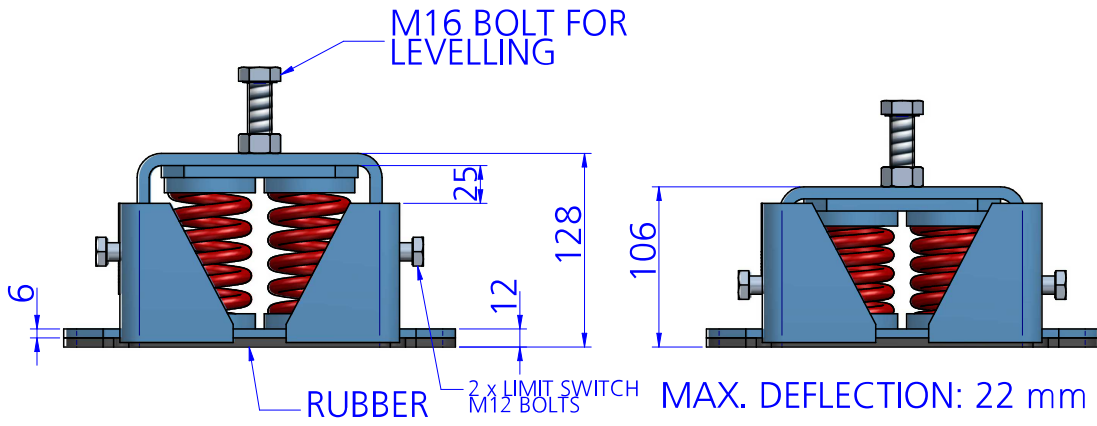
DRAWINGS



DIMENSIONS

Type	Max.Load (kg)	Spring color	No. Springs	Deflection (mm)	K (N/mm)	Weight (kg)	Code
2 AMC ANTI-SEISMIC + SYLOMER 4 Holes	400	YELLOW	2	22	185	0	21512
	610	PURPLE	2	22	291	0	21513
	810	GREEN	2	22	331	0	21514
	1080	GREY	2	22	509	0	21515
	1224	WHITE	2	22	567	0	21516
	1606	RED	2	22	784	0	21517

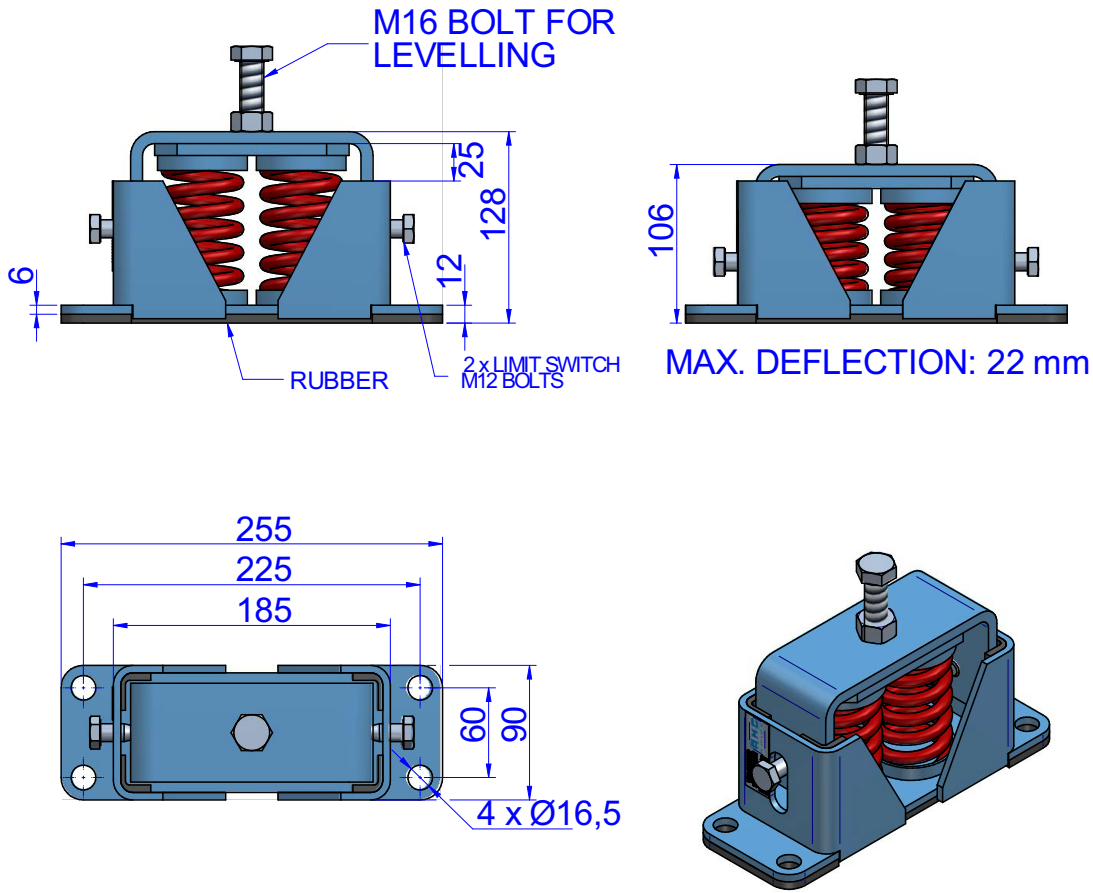
DRAWINGS



DIMENSIONS

Type	Max Load (kg)	No. Springs	Spring color	Deflection (mm)	K (N/mm)	Weight (kg)	Code
2 AMC ANTI-SEISMIC	400	2	YELLOW	22	185	4,819	20529
	610	2	PURPLE	22	291	4,819	20494
	810	2	GREEN	22	331	4,919	20496
	1080	2	GREY	22	509	5,011	20497
	1224	2	WHITE	22	567	5,142	20498
	1606	2	RED	22	784	5,337	20500

DRAWINGS



DIMENSIONS

Type	Max Load (kg)	Spring color	No. Springs	Deflection (mm)	K (N/mm)	Weight (kg)	Code
2 AMC ANTI-SEISMIC 4 Holes	400	YELLOW	2	22	185	0	21518
	610	PURPLE	2	22	291	0	21519
	810	GREEN	2	22	331	0	21520
	1080	GREY	2	22	509	0	21521
	1224	WHITE	2	22	567	0	21522
	1606	RED	2	22	784	0	21523

Elastical properties

LOAD DEFLECTION GRAPH AMC MECANOCAUCHO® 2 AMC ANTISEISMIC

