

1V-SR ANTI SEISMIC MOUNTS



- A spring with high elasticity and very low natural frequency
- An incorporated levelling system
- A Sylomer pad under the mount base in order to isolate mid-high frequencies comes standard

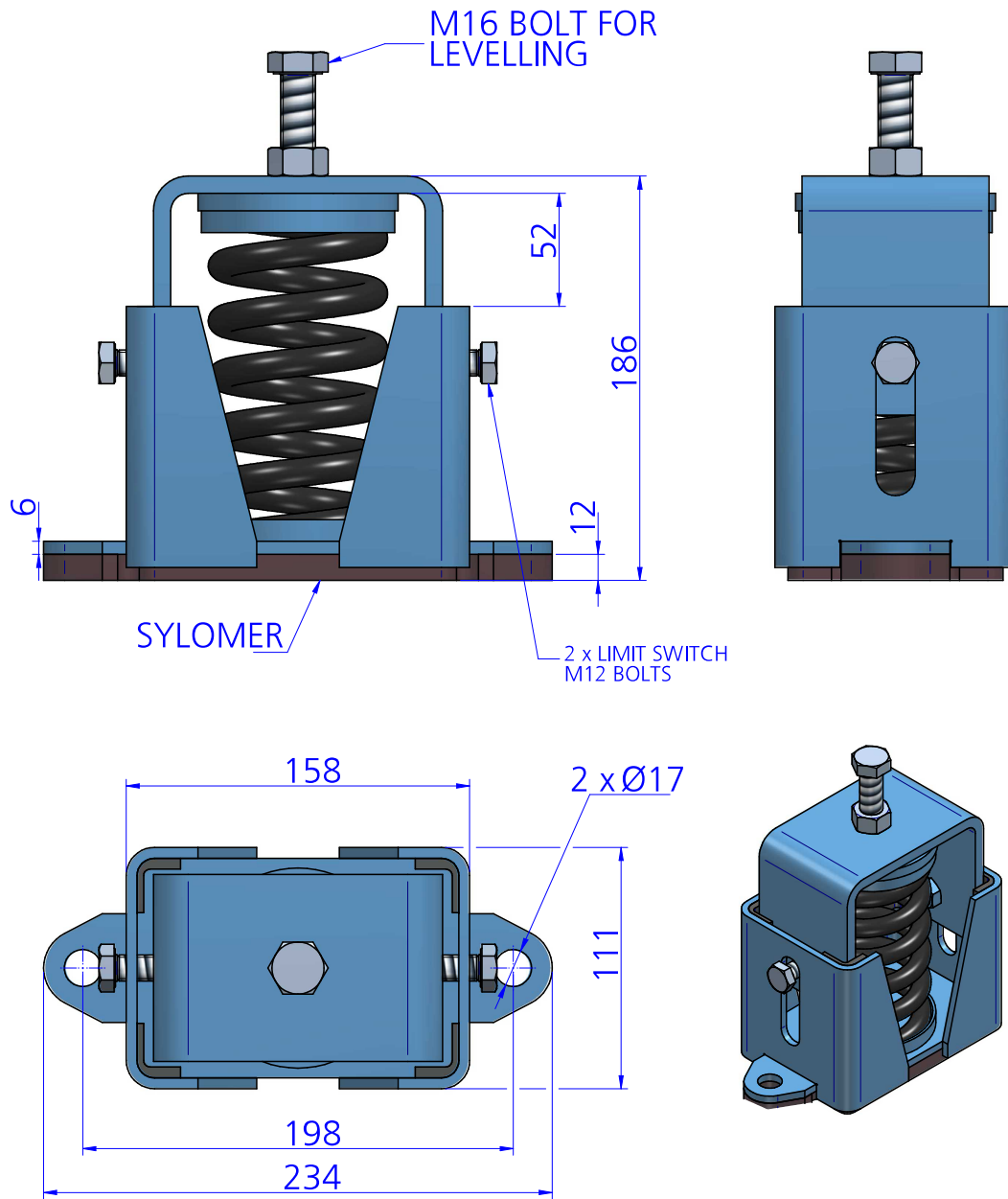
TECHNICAL CHARACTERISTICS

The mounts are able to reach low natural frequencies from 3 to 5 Hz. The spring combined with sylomer® is able to provide high isolation at low and medium frequencies.

The curves are showing the deflection and natural frequencies according to the load of the spring. Temperature working range from -30 to 70°. Short term higher temperatures are possible.



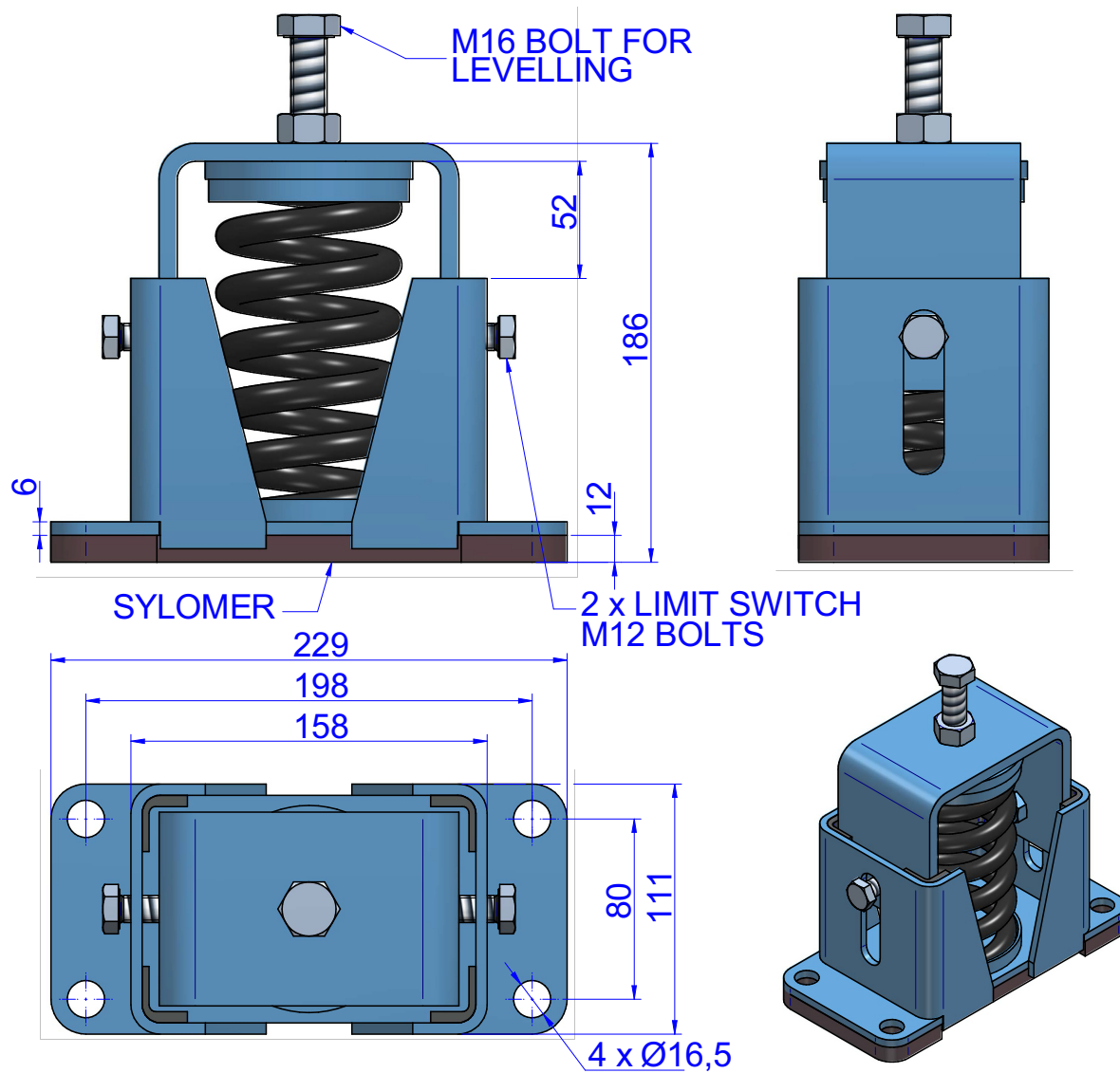
DRAWINGS



DIMENSIONS

| Type | Max. Load (kg) | Spring color | K (N/mm) | Weight (kg) | Code |
|-----------------------------|-------------------|--------------|-------------|----------------|-------|
| V-SR ANTI SEISMIC + SYLOMER | 200 | BLACK | 64 | 5,72 | 21340 |
| | 400 | BLACK | 134 | 6 | 21341 |
| | 650 | BLACK | 181 | 6,715 | 20502 |
| | 800 | BLACK | 287 | 6,74 | 20503 |
| | 1000 | BLACK | 351 | 7,045 | 20504 |
| | 1200 | BLACK | 503 | 7,119 | 20505 |

DRAWINGS



DIMENSIONS

| Type | Max. Load (kg) | Spring color | K (N/mm) | Weight (kg) | Code |
|-------------------------------------|----------------|--------------|----------|-------------|-------|
| V-SR ANTI SEISMIC + SYLOMER 4 Holes | 200 | BLACK | 64 | 0 | 21550 |
| | 400 | BLACK | 134 | 0 | 21551 |
| | 650 | BLACK | 181 | 0 | 21552 |
| | 800 | BLACK | 287 | 0 | 21553 |
| | 1000 | BLACK | 351 | 0 | 21554 |
| | 1200 | BLACK | 503 | 0 | 21555 |

Elastical properties

LOAD DEFLECTION GRAPH AMC MECANOCAUCHO® 1V-SR

