

# 1V-SH ANTI SEISMIC MOUNTS



- A spring with high elasticity and very low natural frequency
- An incorporated levelling system
- A Sylomer pad under the mount base in order to isolate mid-high frequencies comes standard

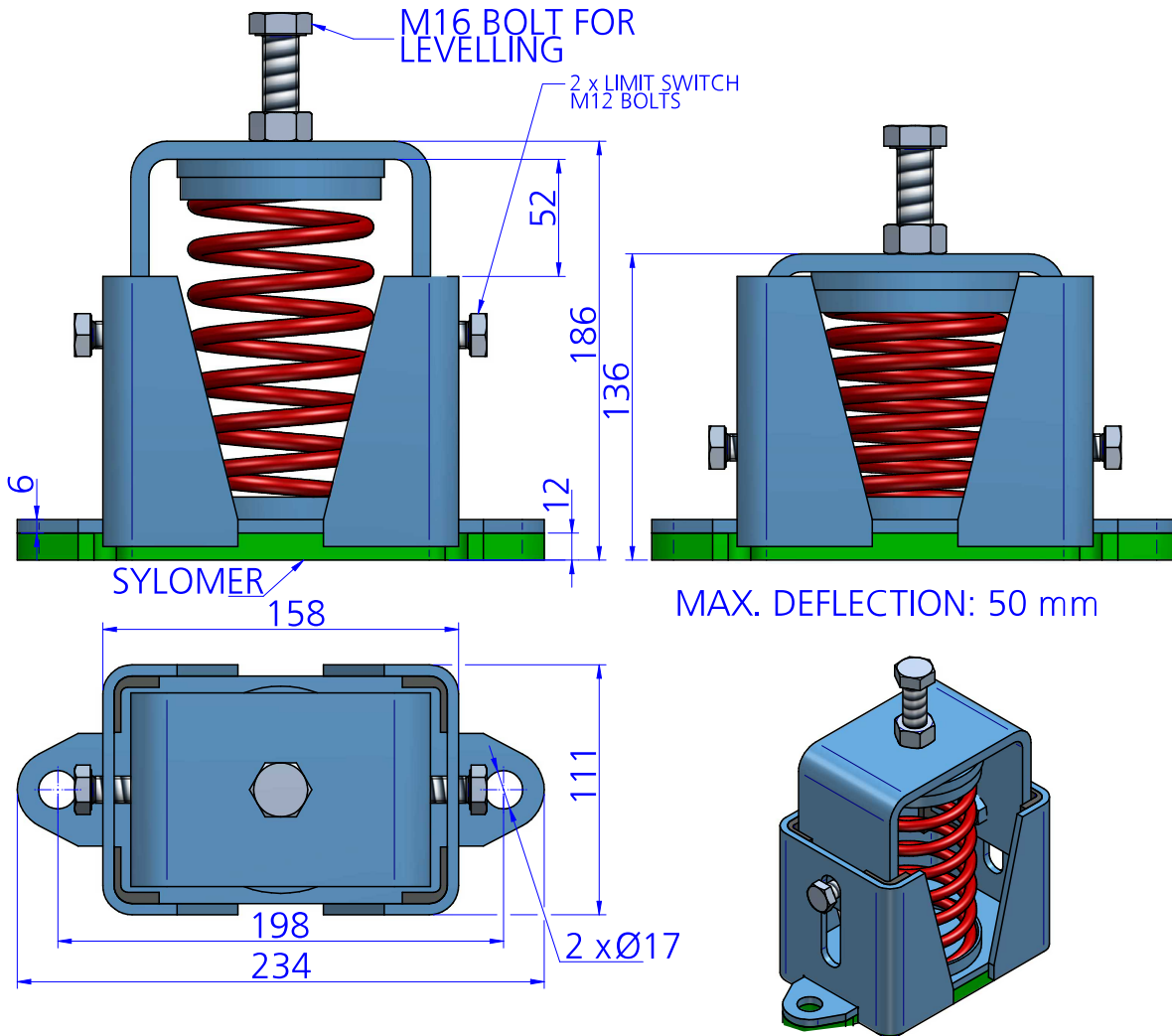
## TECHNICAL CHARACTERISTICS

The mounts are able to reach low natural frequencies from 2 to 5 Hz. The spring combined with sylomer® is able to provide high isolation at low and medium frequencies.

The curves are showing the deflection and natural frequencies according to the load of the spring. Temperature working range from -30 to 70°. Short term higher temperatures are possible.



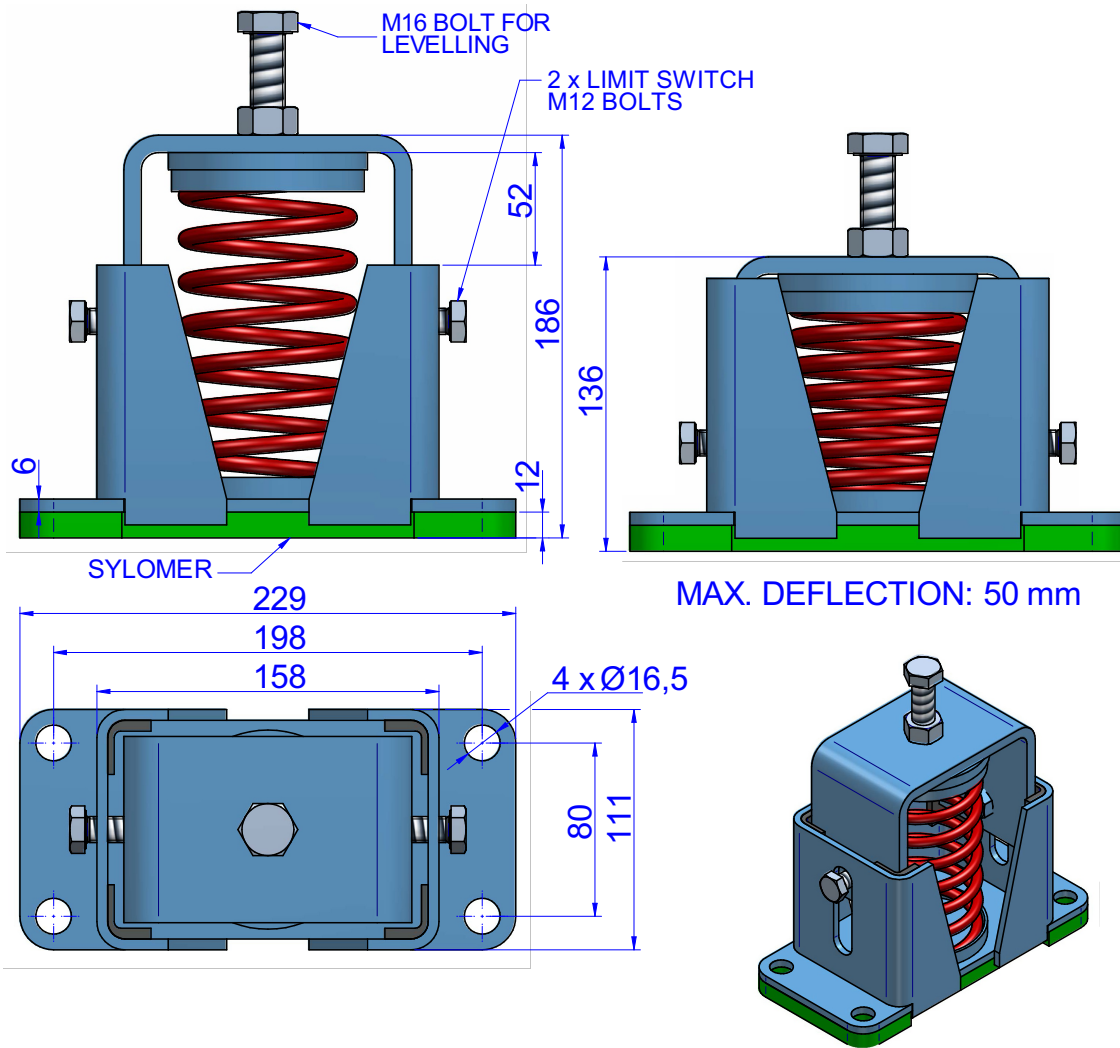
DRAWINGS



DIMENSIONS

Type	Max. Load (kg)	Spring color	K (N/mm)	Weight (kg)	Code
1V-SH ANTI SEISMIC + SYLOMER	67	BLUE	13	5,759	20653
	95	WHITE	19	5,816	20654
	123	BLACK	25	5,84	20655
	173	BEIGE	35	5,93	20656
	223	RED	43	6,301	20657
	335	GREY	68	6,502	20658
	446	GREEN	88	6,768	20659
	700	BROWN	150	6,768	20661

DRAWINGS



DIMENSIONS

Type	Max. Load (kg)	Spring color	K (N/mm)	Weight (kg)	Code
1V-SH ANTI SEISMIC + SYLOMER 4 Holes	67	BLUE	13	0	21568
	95	WHITE	19	0	21569
	123	BLACK	25	0	21570
	173	BEIGE	35	0	21571
	223	RED	43	0	21572
	335	GREY	68	0	21573
	446	GREEN	88	0	21574
	700	BROWN	150	0	21575

Elastical properties

**LOAD DEFLECTION GRAPH**  
**AMC MECANOCAUCHO® V-SH**

