

10 AMC ANTI-SEISMIC



The Vibrabsorber Antiseismic spring mounts are failsafe anti vibration mounts that are capable to withstand traction and compression dynamic forces offering a low Stiffness for a range of loads between 300 to 8000Kg. Thanks to its reinforced metal parts, the 10 amc Antiseismic mounts can withstand to shocks produced by seismic events.

The AMC-MECANOCAUCHO® type 10 AMC antiseismic mounts are ideal for stationary applications where high isolation degree is required to low disturbing frequencies (800 to 1500 rpm).

TECHNICAL CHARACTERISTICS

The design of these anti vibration mounts is composed of interlocking metal parts where a rubber buffer is placed in order to avoid metal to metal contact when high shear loads occur. This feature allows to provide lateral stability to the suspended element. These lateral metal parts have been calculated to withstand to lateral high forces that may occur in seismic events, allowing the anti vibration mount to resist without rupture. These mounts can be supplied with a Sylomer layer under the below metal part. This feature allows to filter high frequency vibrations that could go through the coil springs, providing to the 10 AMC Antiseismic anti-vibration mount higher degree of vibration isolation.

The AMC-MECANOCAUCHO 10 AMC antiseismic anti vibration mounts are manufactured in several types of springs to suit load from 300 to 8000Kg load per mount.

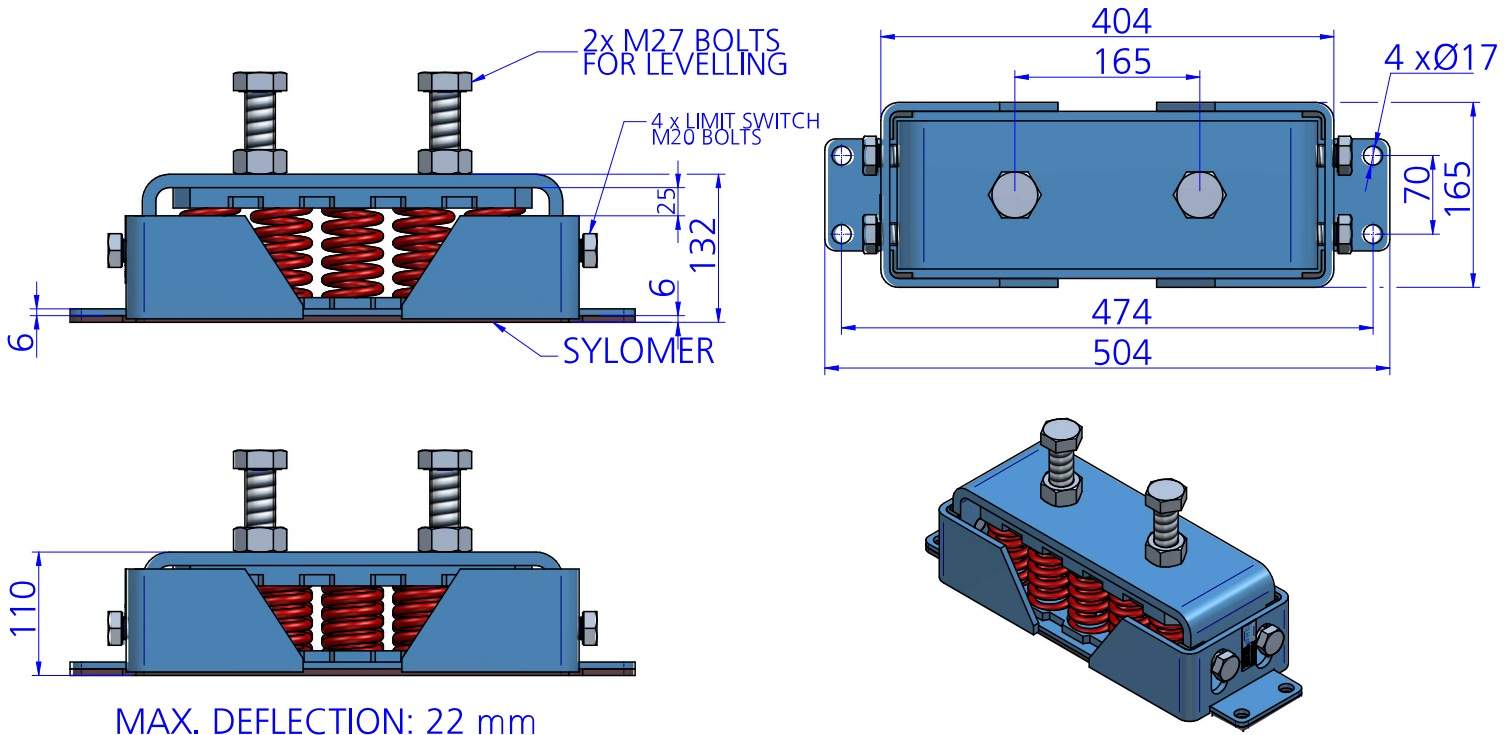
The metal parts are epoxy coated in order to withstand to arduous corrosive environments.

APPLICATIONS

The AMC-MECANOCAUCHO® 10 AMC antiseismic mounts are used on stationary applications where disturbing frequency is low and a high vibration isolation and lateral stability is required, for example generator sets, HVAC equipment, pumps or ventilators.



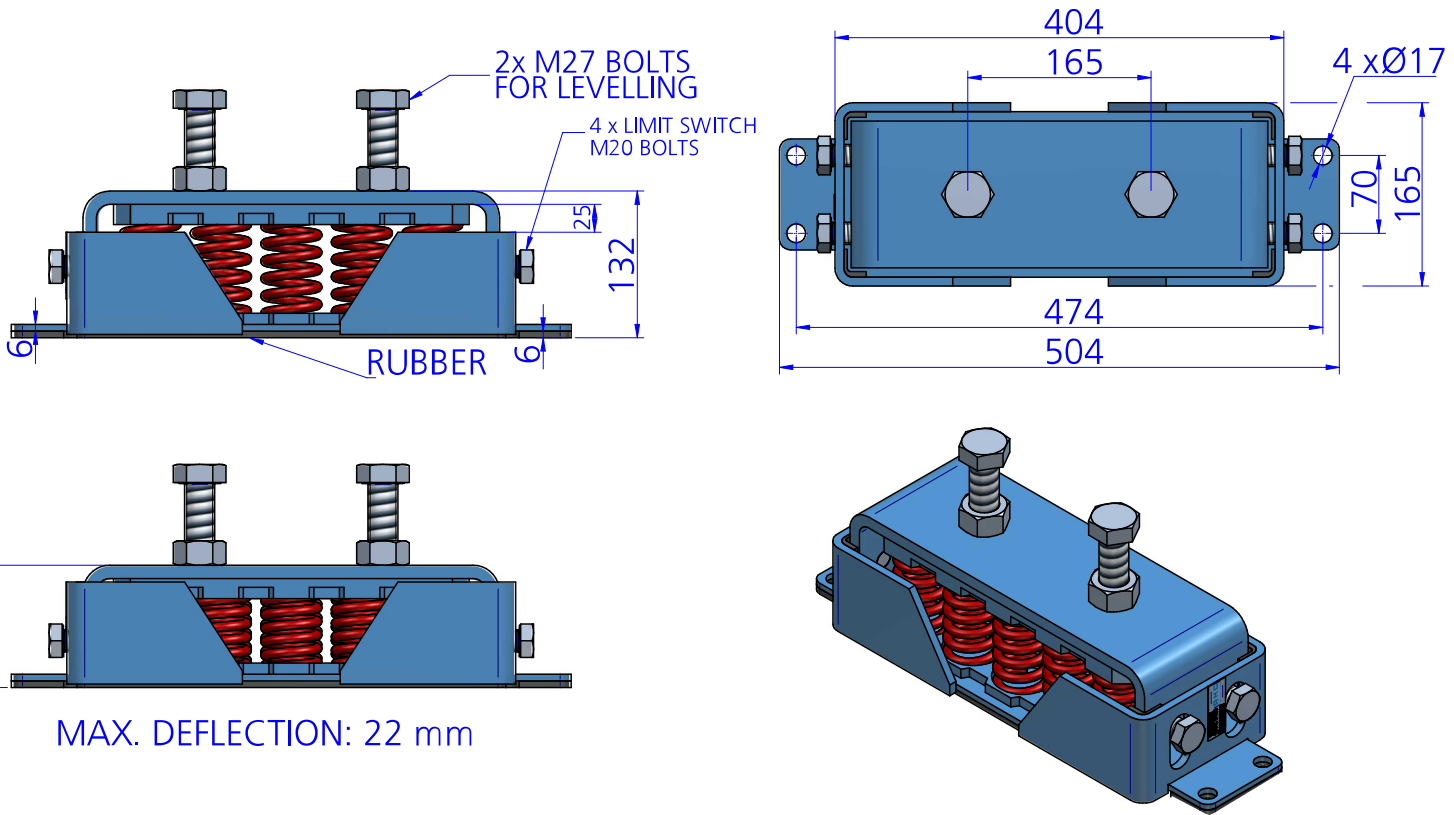
DRAWINGS



DIMENSIONS

Type	Max. Load (kg)	No. Springs	Spring color	Deflection (mm)	K (N/mm)	Weight (kg)	Code
10 AMC ANTI-SEISMIC + SYLOMER	2000	10	YELLOW	22	923	24,089	20850
	3050	10	PURPLE	22	1456	24,089	20852
	4050	10	GREEN	22	1656	24,839	20853
	5400	10	GREY	22	2546	25,969	20854
	6120	10	WHITE	22	2836	24,766	20855
	8030	10	RED	22	3918	26,829	20856

DRAWINGS



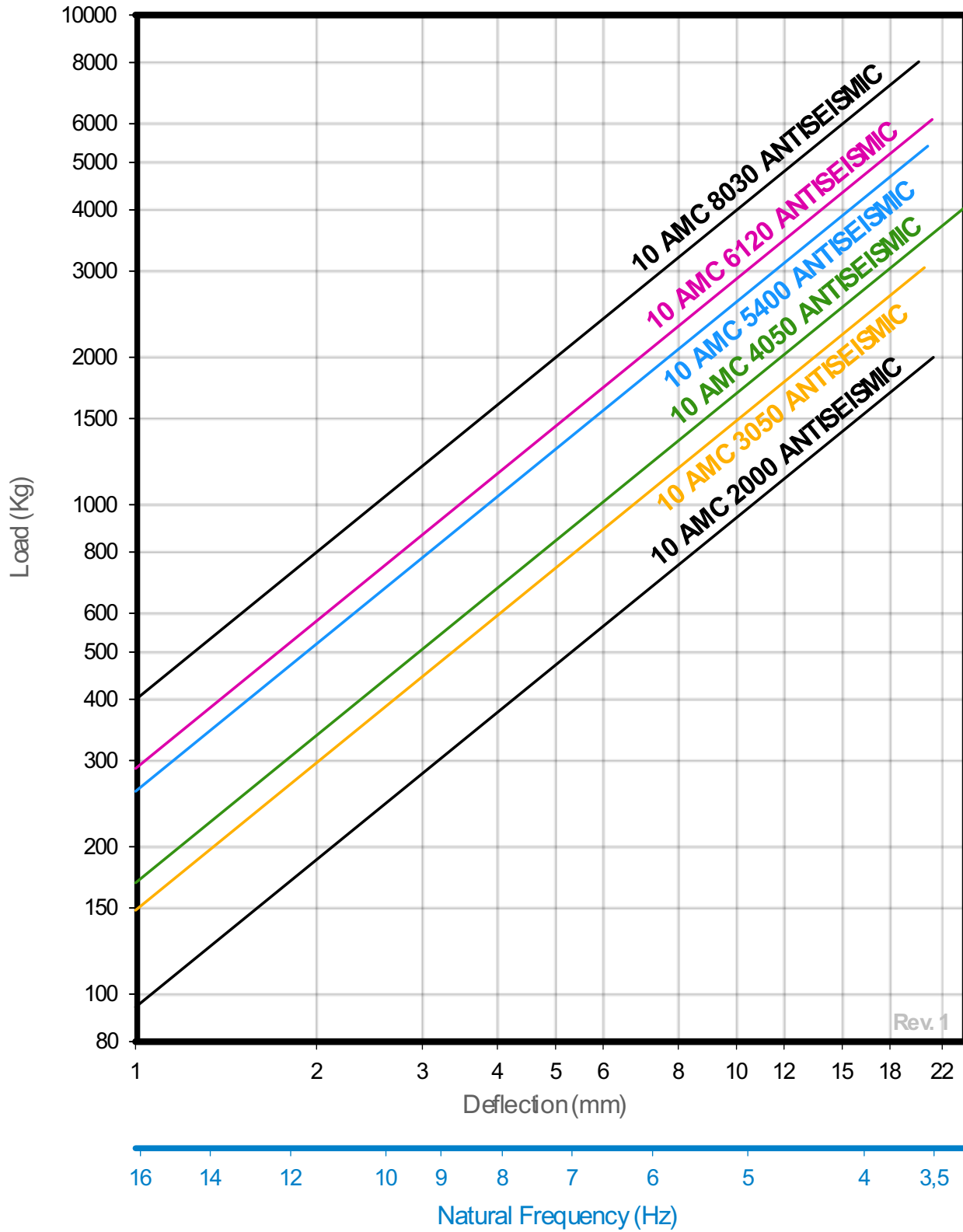
MAX. DEFLECTION: 22 mm

DIMENSIONS

Type	Max.Load (kg)	No. Springs	Spring color	Deflection (mm)	K (N/mm)	Weight (kg)	Code
10 AMC ANTI-SEISMIC	2000	10	YELLOW	22	923	24,228	20849
	3050	10	PURPLE	22	1456	24,228	20894
	4050	10	GREEN	22	1656	24,978	20895
	5400	10	GREY	22	2546	26,108	20896
	6120	10	WHITE	22	2836	25,248	20897
	8030	10	RED	22	3918	26,968	20898

Elastical properties

LOAD DEFLECTION GRAPH AMC MECANOCAUCHO® 10 AMC ANTISEISMIC



Rev. 1