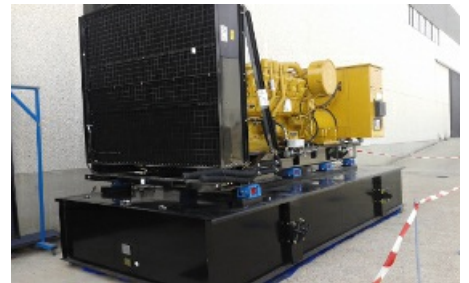


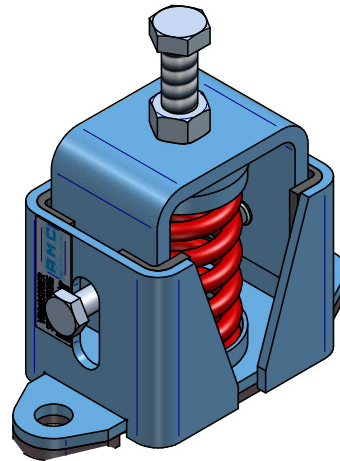
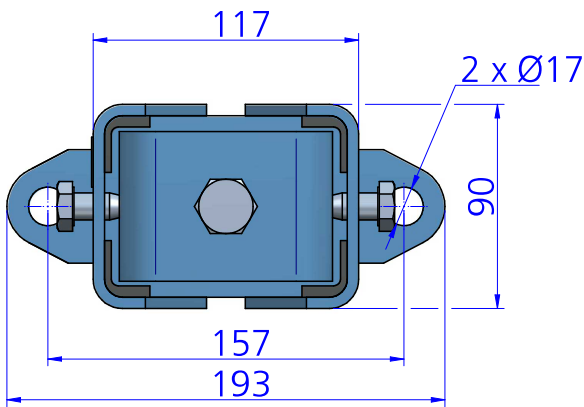
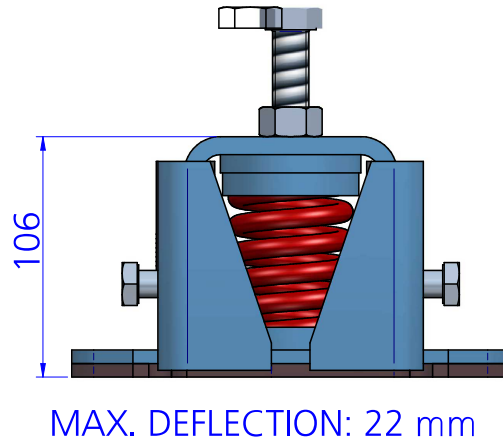
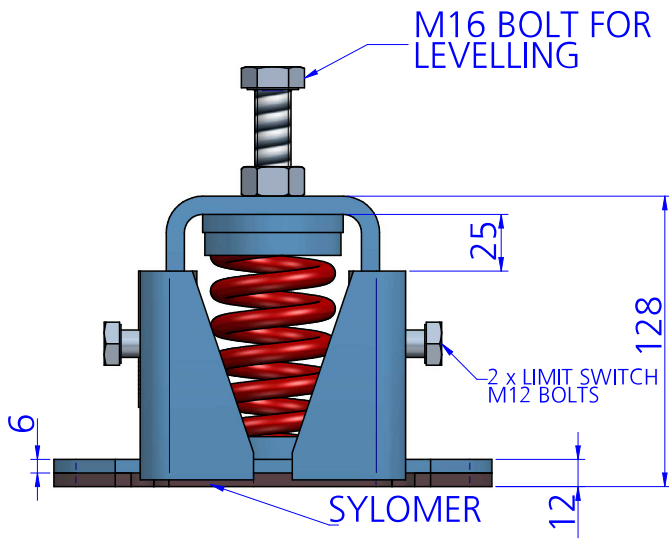
# 1 AMC ANTI-SEISMIC



These brackets are made of mechanical anchoring systems which ensure your unit applications static and provide high reliability for the isolation of low frequency vibrations. In order to improve their performance in seismic applications the technical department of AMC-MECANOCAUCHO designed a new internal architecture to resist such environments.



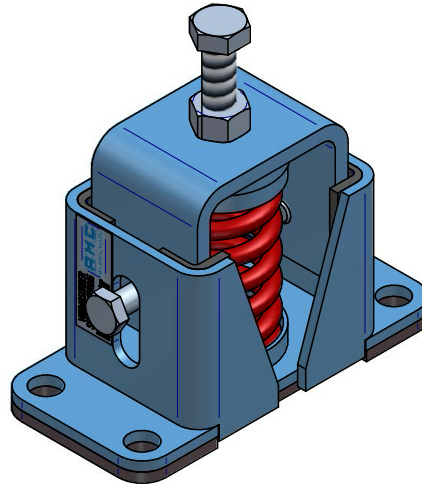
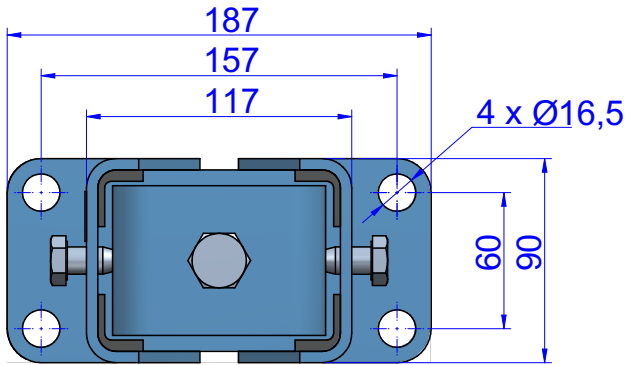
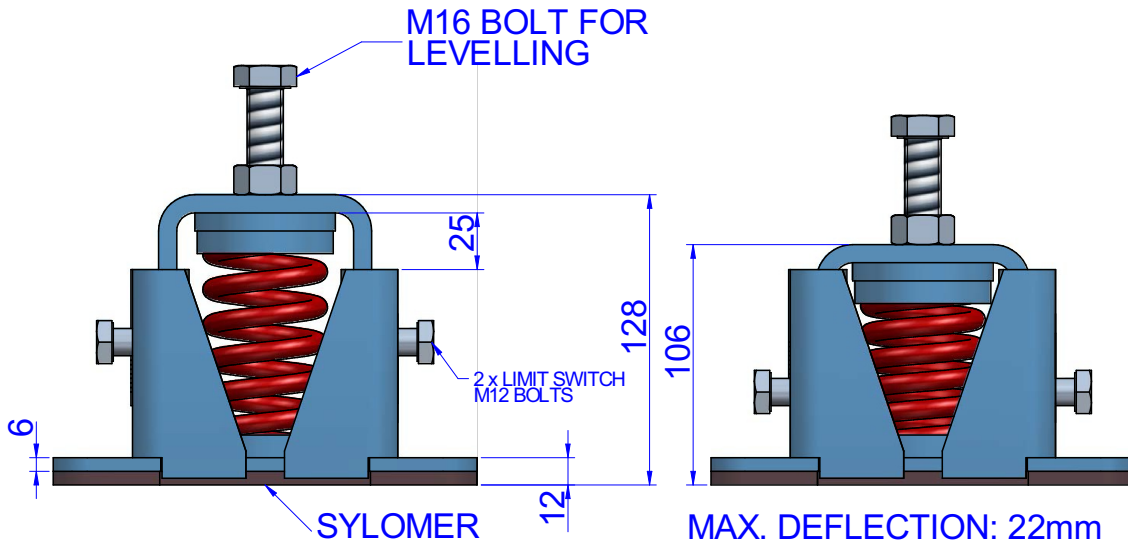
DRAWINGS



DIMENSIONS

Type	Max.Load (kg)	No. Springs	Spring color	Deflection (mm)	K (N/mm)	Weight (kg)	Code
1 AMC ANTI-SEISMIC + SYLOMER	200	1	YELLOW	22	92	3,191	20338
	305	1	PURPLE	22	146	3,191	20413
	405	1	GREEN	22	166	3,686	20377
	540	1	GREY	22	255	3,284	20378
	612	1	WHITE	22	278	3,284	20379
	803	1	RED	22	392	3,449	20380

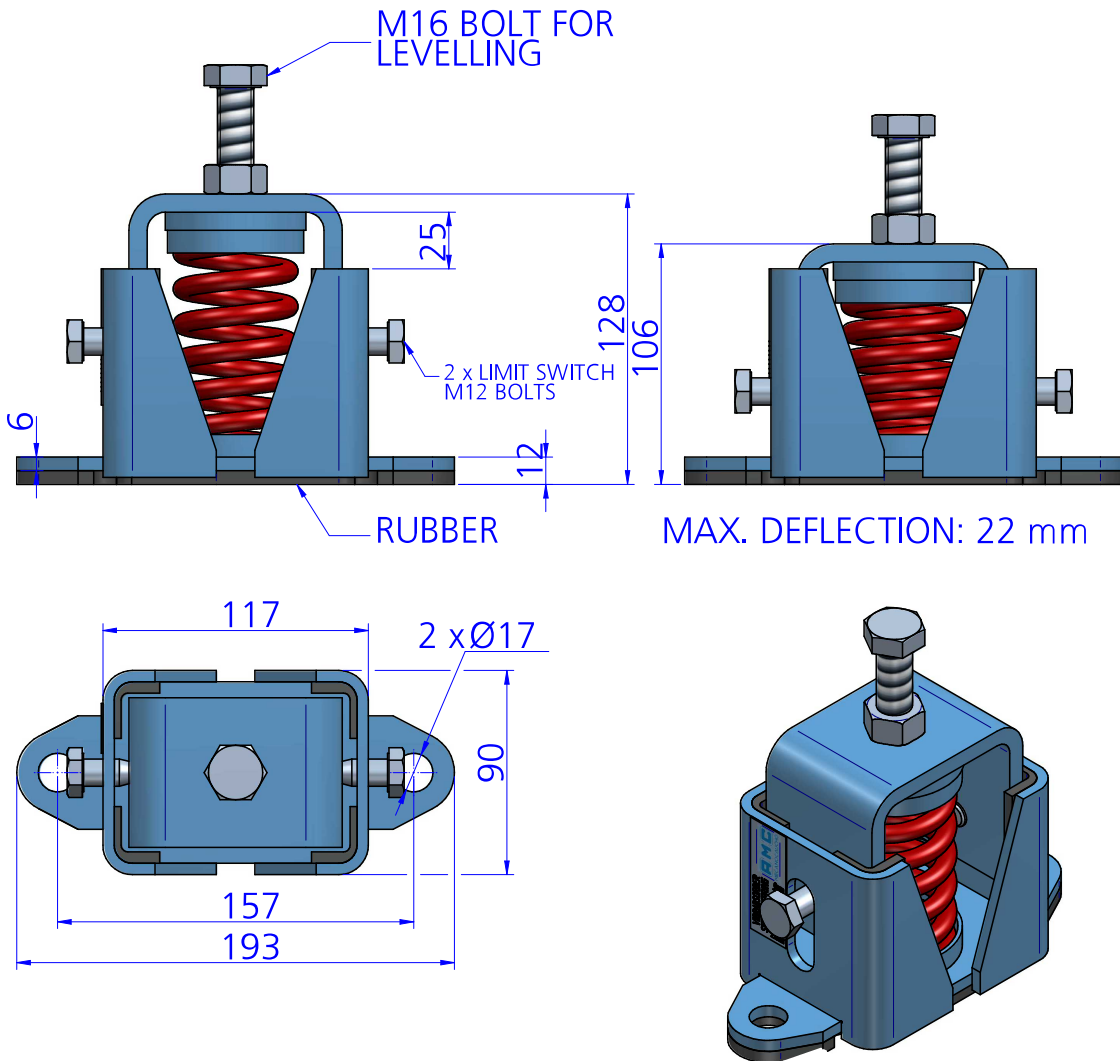
DRAWINGS



DIMENSIONS

Type	Max.Load (kg)	Spring color	No. Springs	Deflection (mm)	K (N/mm)	Weight (kg)	Code
1 AMC ANTI-SEISMIC + SYLOMER 4 Holes	200	YELLOW	1	22	92	0	21500
	305	PURPLE	1	22	146	0	21501
	405	GREEN	1	22	166	0	21502
	540	GREY	1	22	255	0	21503
	612	WHITE	1	22	278	0	21504
	803	RED	1	22	392	0	21505

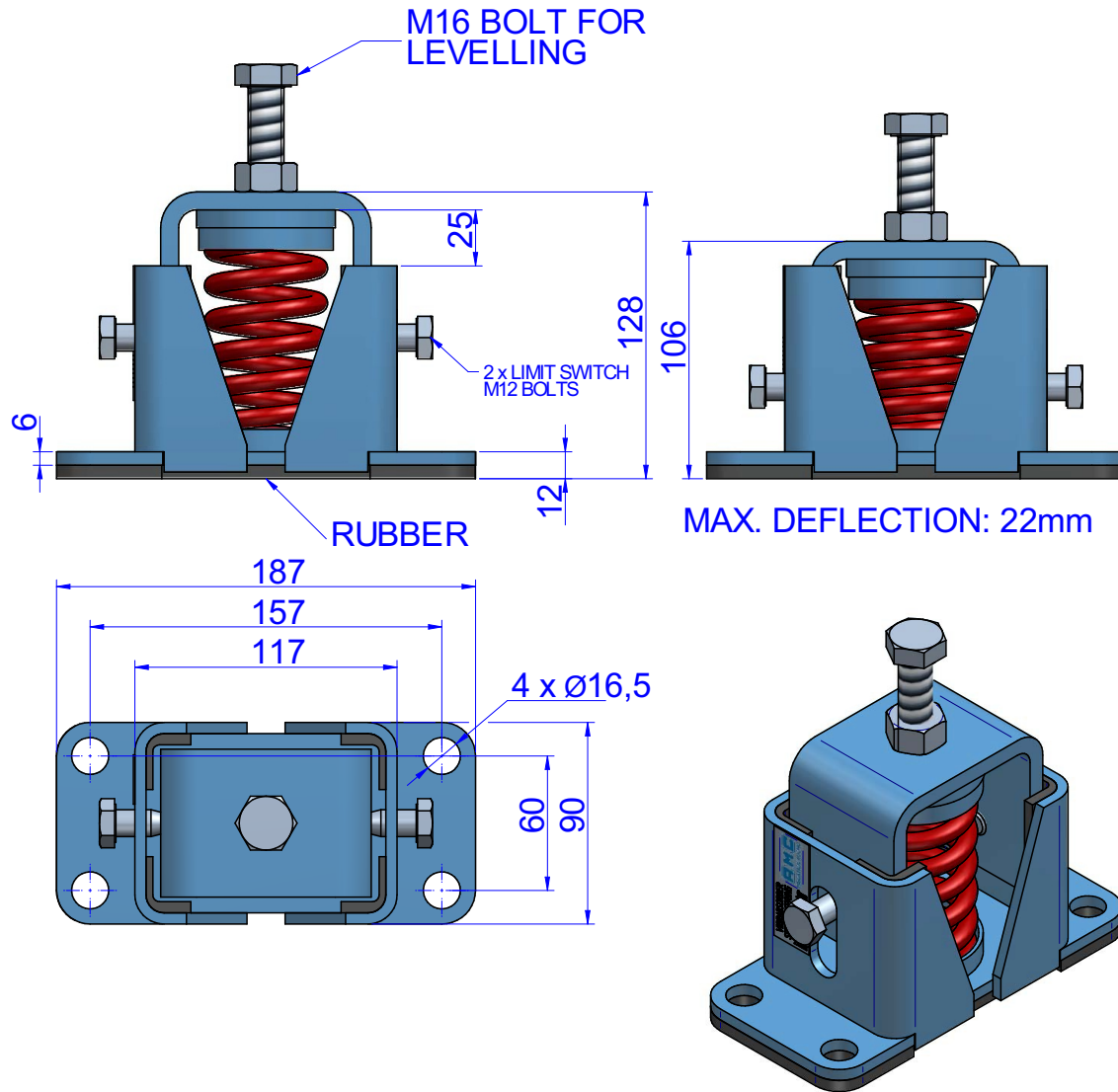
DRAWINGS



DIMENSIONS

Type	Max.Load (kg)	No. Springs	Spring color	Deflection (mm)	K (N/mm)	Weight (kg)	Code
1 AMC ANTI-SEISMIC	200	1	YELLOW	22	92	3,45	20410
	305	1	PURPLE	22	146	3,155	20409
	405	1	GREEN	22	166	3,204	20381
	540	1	GREY	22	255	3,318	20382
	612	1	WHITE	22	278	3,248	20383
	803	1	RED	22	392	3,414	20384

DRAWINGS



DIMENSIONS

Type	Max.Load (kg)	Spring color	No. Springs	Deflection (mm)	K (N/mm)	Weight (kg)	Code
1 AMC ANTI-SEISMIC 4 Holes	200	YELLOW	1	22	92	0	21506
	305	PURPLE	1	22	146	0	21507
	405	GREEN	1	22	166	0	21508
	540	GREY	1	22	255	0	21509
	612	WHITE	1	22	278	0	21510
	803	RED	1	22	392	0	21511

Elastical properties

# LOAD DEFLECTION GRAPH AMC MECANOCAUCHO® 1 AMC ANTISEISMIC

